

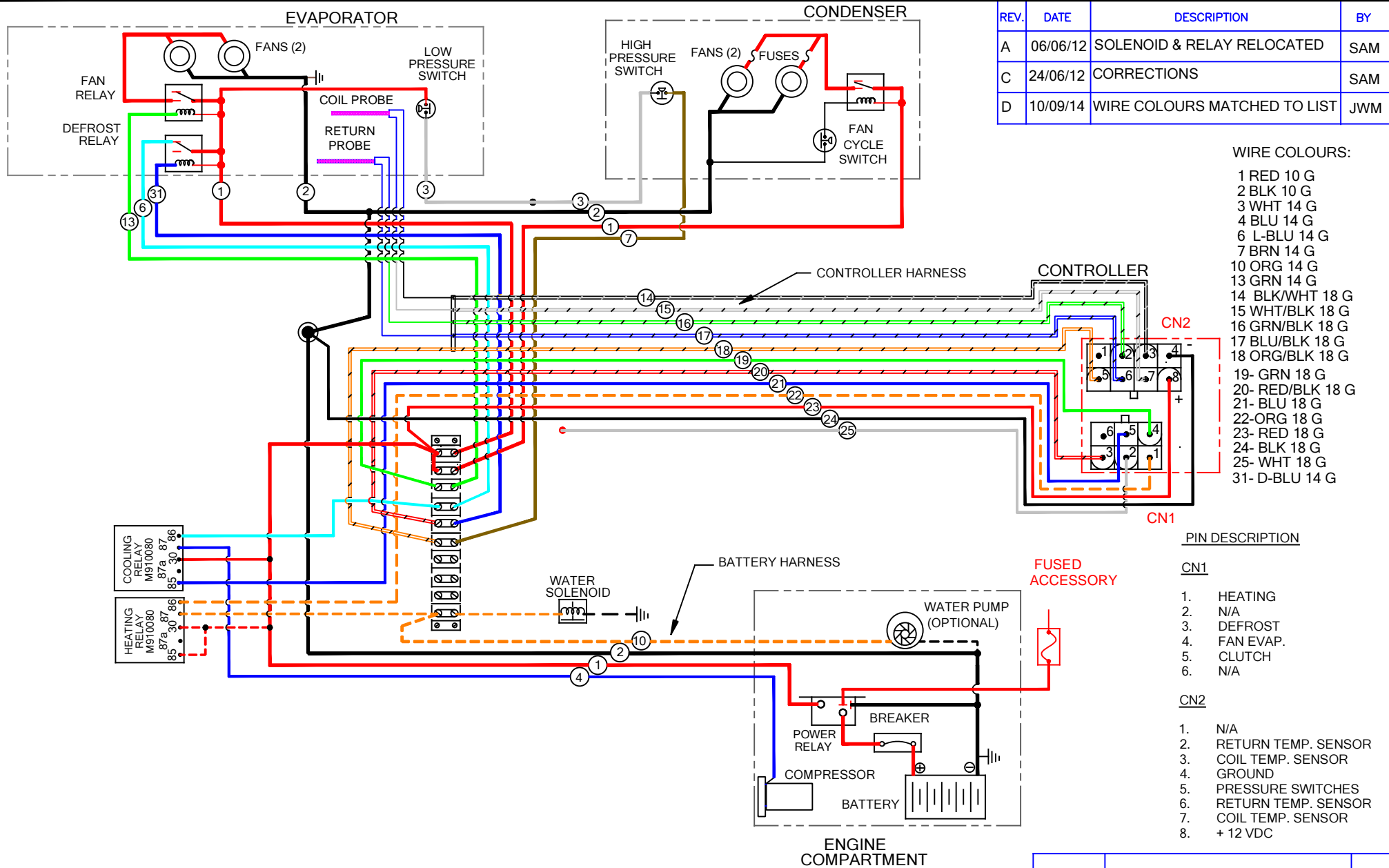


ADVANCED TEMPERATURE CONTROL TRUCK REFRIGERATION SYSTEMS

UNIT WIRING DIAGRAMS FOR MEDIUM TEMPERATURE UNITS

**ADVANCED TEMPERATURE CONTROL
1416 GRAHAM'S LANE
BURLINGTON, ONTARIO
CANADA
L7S 1W3**

Manual P.N. M960328 Revision G, Mar 18, 2015




| REV. | DATE | DESCRIPTION | BY |
|------|----------|------------------------------|-----|
| A | 06/06/12 | SOLENOID & RELAY RELOCATED | SAM |
| C | 24/06/12 | CORRECTIONS | SAM |
| D | 10/09/14 | WIRE COLOURS MATCHED TO LIST | JWM |

- WIRE COLOURS:
- 1 RED 10 G
 - 2 BLK 10 G
 - 3 WHT 14 G
 - 4 BLU 14 G
 - 6 L-BLU 14 G
 - 7 BRN 14 G
 - 10 ORG 14 G
 - 13 GRN 14 G
 - 14 BLK/WHT 18 G
 - 15 WHT/BLK 18 G
 - 16 GRN/BLK 18 G
 - 17 BLU/BLK 18 G
 - 18 ORG/BLK 18 G
 - 19- GRN 18 G
 - 20- RED/BLK 18 G
 - 21- BLU 18 G
 - 22- ORG 18 G
 - 23- RED 18 G
 - 24- BLK 18 G
 - 25- WHT 18 G
 - 31- D-BLU 14 G

PIN DESCRIPTION

| CN1 | |
|-----|-----------|
| 1. | HEATING |
| 2. | N/A |
| 3. | DEFROST |
| 4. | FAN EVAP. |
| 5. | CLUTCH |
| 6. | N/A |

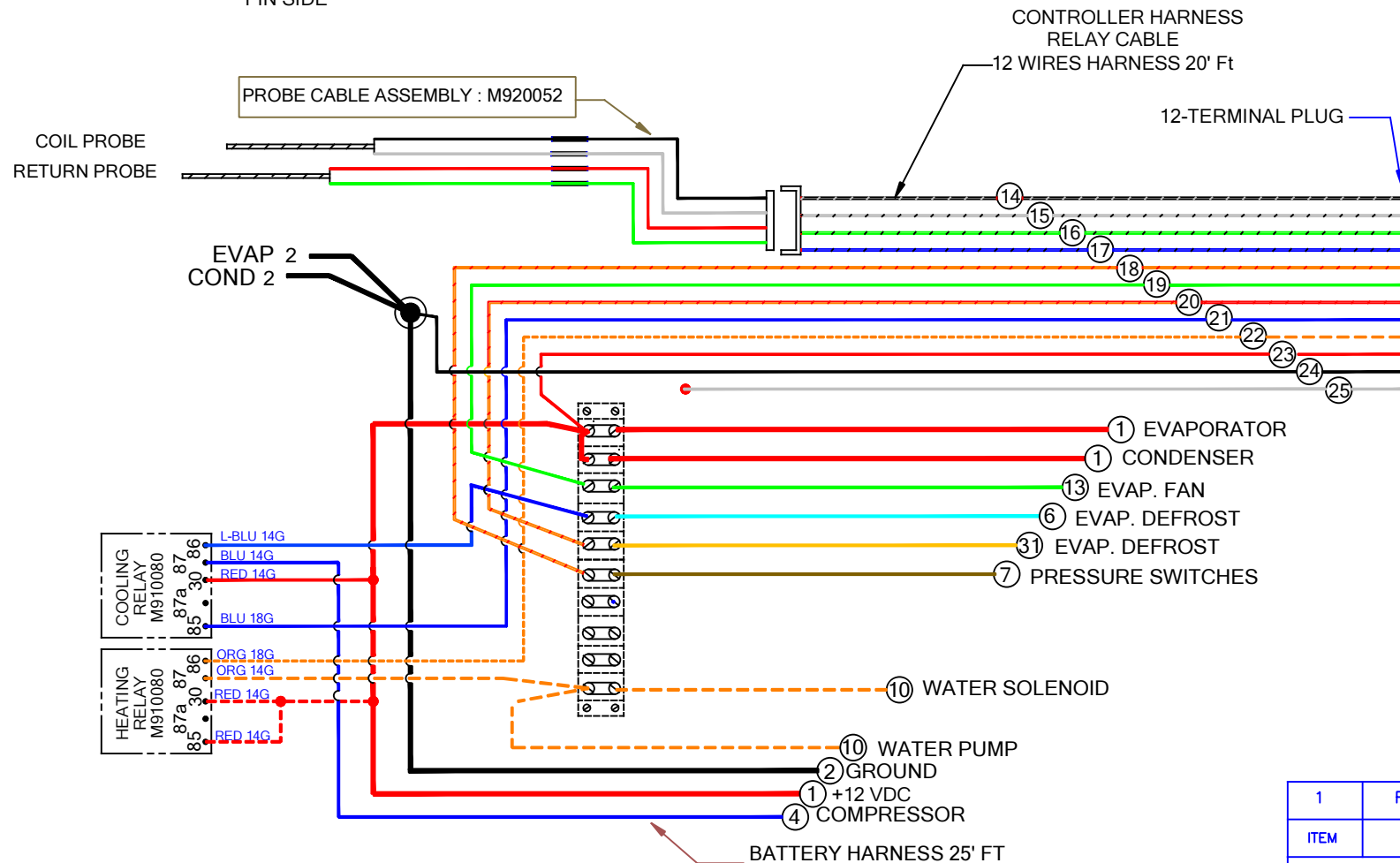
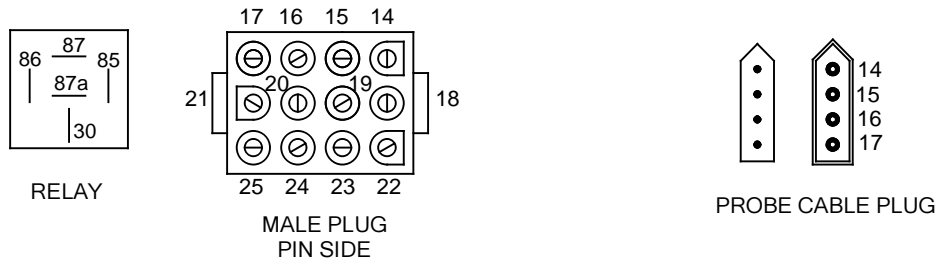
| CN2 | |
|-----|---------------------|
| 1. | N/A |
| 2. | RETURN TEMP. SENSOR |
| 3. | COIL TEMP. SENSOR |
| 4. | GROUND |
| 5. | PRESSURE SWITCHES |
| 6. | RETURN TEMP. SENSOR |
| 7. | COIL TEMP. SENSOR |
| 8. | + 12 VDC |

| ITEM | DESCRIPTION | QTY |
|---|----------------------------|------------------------|
| ADVANCED TEMPERATURE CONTROL | | |
|  1416 GRAHAM'S LANE BURLINGTON, ONT. L7S 1W3 TEL: (905) 637-3468 FAX: (905) 637-3363 | | |
| TITLE | WIRING DIAGRAM | ENG. REF |
| | MEDIUM TEMP. OVER THE ROAD | M:/SAM/SLDATA/ATC/9127 |
| | W/W/O HEAT | |
| DWG NO | MRH-9127-2 | CHECK |
| | | DATE |
| | | DATE |
| | | D |

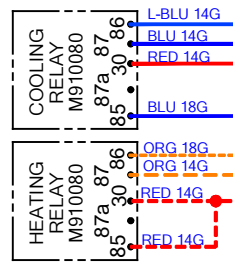
APPROVED
 THIS DRAWING IS APPROVED
 WITH THE FOLLOWING REVISIONS:
 SIGNED: SAM
 DATED: SEPTEMBER 24, 2013

NOTE - "OPTIONAL HEAT IS SHOWN BY DASHED LINES"

| REV. | DATE | DESCRIPTION | BY: |
|------|----------|------------------------------|-----|
| A | 23/09/12 | CORRECTIONS | SAM |
| B | 10/09/14 | WIRE COLOURS MATCHED TO LIST | JWM |



- WIRE COLOURS:
- 1 RED 10 G
 - 2 BLACK 10 G
 - 4 D-BLU 14 G
 - 6 L-BLU 14 G
 - 7 BRN 14 G
 - 10 ORG 14 G
 - 13 GRN 14 G
 - 14 BLK/WHT 18 G
 - 15 WHT/BLK 18 G
 - 16 GRN/BLK 18 G
 - 17 BLU/BLK 18 G
 - 18 ORG/BLK 18 G
 - 19 GRN 18 G
 - 20 RED/BLK 18 G
 - 21 BLU 18 G
 - 22 ORG 18 G
 - 23 RED 18 G
 - 24 BLK 18 G
 - 25 WHT 18 G
 - 31 D-BLU 14 G



APPROVED
 THIS DRAWING IS APPROVED
 WITH THE FOLLOWING REVISIONS.
 SIGNED: SAM
 DATED: JULY 9, 2012

PART NO.
 W/O HEAT M920262
 W HEAT M920269
 DATE JUN 27, 2012

| ITEM | DESCRIPTION | QTY |
|------|--------------|-----|
| 1 | RELAYS BOARD | 1 |

ADVANCED TEMPERATURE CONTROL
 1416 GRAHAM'S LANE
 BURLINGTON, ONT.
 L7S 1W3
 TEL: (905) 637-3468
 FAX: (905) 637-3363

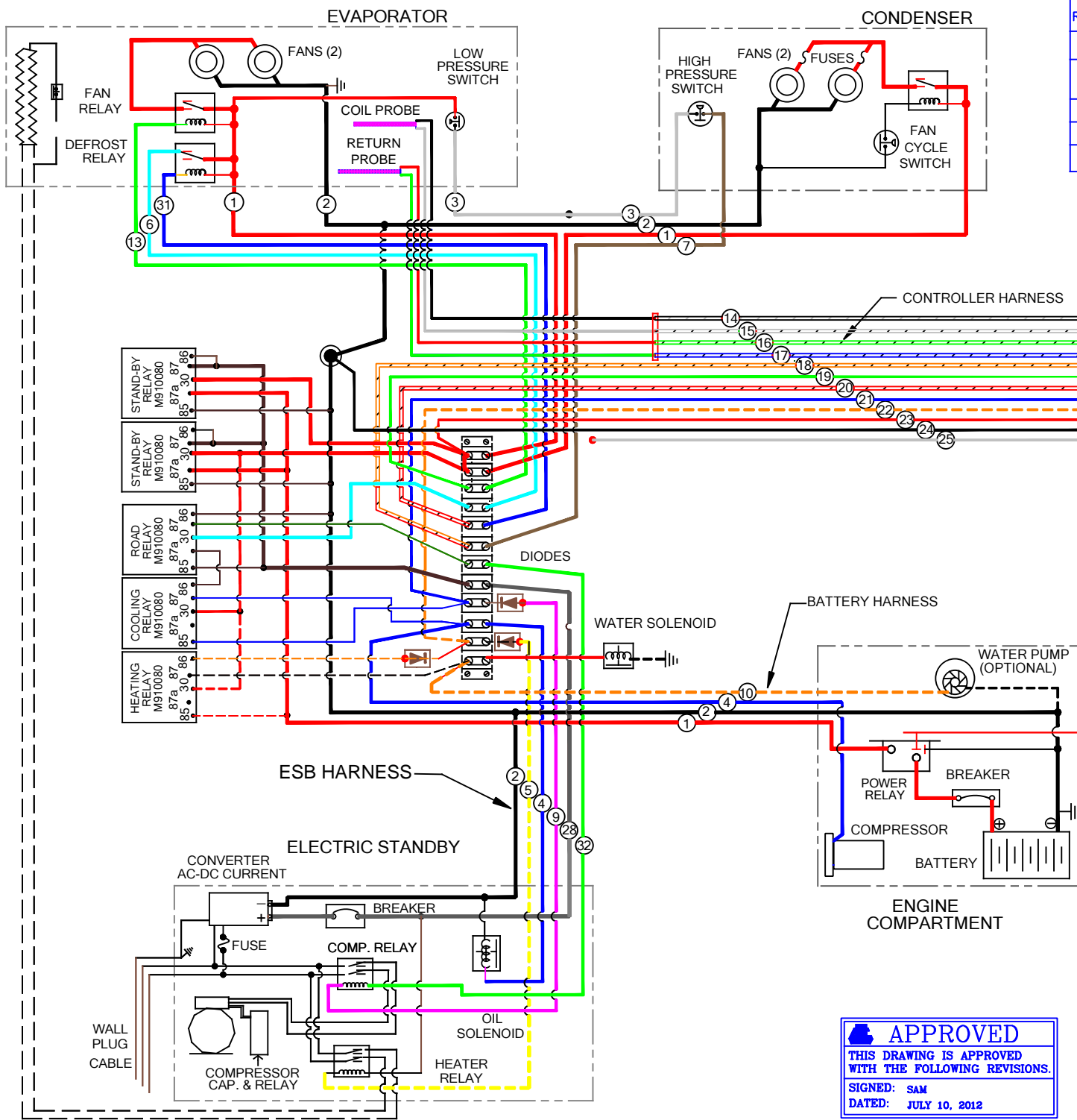
| TITLE | ENG. REF |
|--|-----------------------|
| WIRING DIAGRAM MED TEMP. OVER THE ROAD W/WO HEAT | DATA/COM/ENG-REF/9127 |

| DRAWN | DATE |
|-------|------------|
| SAM | 29-03-2012 |

| DWG NO | CHECK | DATE |
|------------|-------|------|
| MRH-9127-3 | | |

PART NO: B

NOTE - "OPTIONAL HEAT IS SHOWN BY DASHED LINES"
 THIS DRAWING IS THE PROPERTY OF ATC, THE INFORMATION CONTAINED HEREIN MAY NOT BE USED OR DISTRIBUTED BY OTHER PARTIES WITHOUT THE EXPRESS WRITTEN CONSENT OF ATC.



| REV. | DATE | DESCRIPTION | BY: |
|------|----------|---|-----|
| A | 11/05/12 | ENGINE HARNESS CHANGES | SAM |
| B | 09/06/12 | ADD DIODE HEAT CONTROL USE 12 POSITION TERMINAL BLOCK | SAM |
| C | 24/09/12 | CORRECTION | SAM |
| D | 11/09/14 | WIRE COLOURS MATCHED TO LIST | JWM |
| E | 10/02/15 | CORRECTIONS | JWM |

- WIRE COLOURS:**
- 1- RED 10 G
 - 2- BLK 10 G
 - 3- WHT 14 G
 - 4- BLU 14 G
 - 5- YEL 14 G
 - 6- L-BLU 14 G
 - 7- BRN 14 G
 - 9- PURPLE 14 G
 - 10- ORG 14 G
 - 13- GRN 14 G
 - 14- BLK/WHT 18 G
 - 15- WHT/BLK 18 G
 - 16- GRN/BLK 18 G
 - 17- BLU/BLK 18 G
 - 18- ORG/BLK 18 G
 - 19- GRN 18 G
 - 20- RED/BLK 18 G
 - 21- BLU 18 G
 - 22- ORG 18 G
 - 23- RED 18 G
 - 24- BLK 18 G
 - 25- WHT 18 G
 - 28- GRAY 10 G
 - 31 DARK/BLU 14 G
 - 32 GRN 14 G

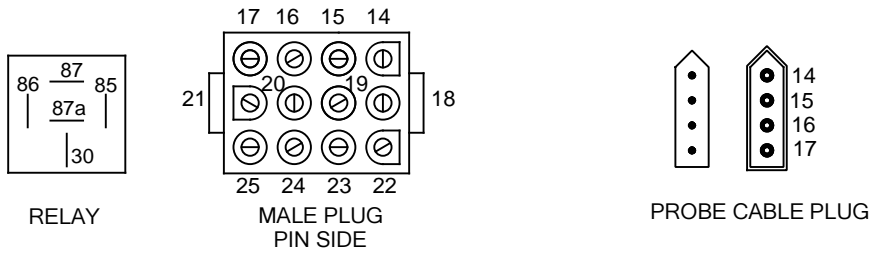
- PIN DESCRIPTION**
- CN1**
1. HEATING
 2. N/A
 3. DEFROST
 4. FAN EVAP.
 5. CLUTCH
 6. N/A
- CN2**
1. N/A
 2. RETURN TEMP. SENSOR
 3. COIL TEMP. SENSOR
 4. GROUND
 5. PRESSURE SWITCHES
 6. RETURN TEMP. SENSOR
 7. COIL TEMP. SENSOR
 8. + 12 VDC

APPROVED
 THIS DRAWING IS APPROVED WITH THE FOLLOWING REVISIONS.
 SIGNED: SAM
 DATED: JULY 10, 2012

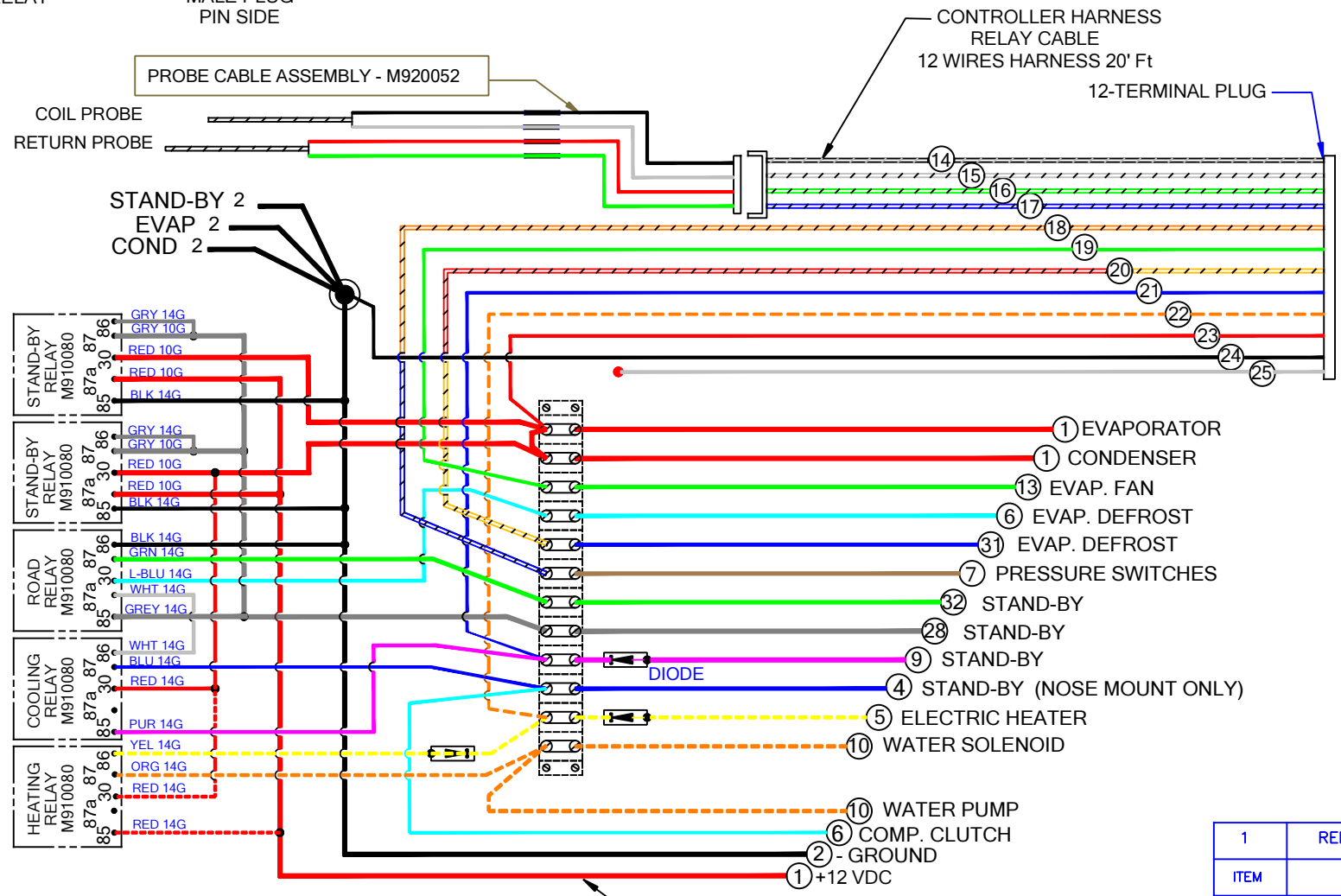
| ITEM | DESCRIPTION | QTY |
|--|--|----------------------|
| ADVANCED TEMPERATURE CONTROL | | |
| 1416 GRAHAM'S LANE BURLINGTON, ONT. L7S 1W3 TEL: (905) 637-3468 FAX: (905) 637-3363 | | |
| TITLE | WIRING DIAGRAM | ENG. REF |
| | MEDIUM TEMP. OVER THE ROAD & ELEC. STANDBY W/WO HEAT | DATACOM/ENG-REF/9127 |
| DWG NO | MRS-9127-2 | DRAWN |
| | | SAM |
| | | DATE |
| | | 22-03-12 |
| | | CHECK |
| | | DATE |
| | | E |

NOTE - "OPTIONAL HEAT IS SHOWN BY DASHED LINES"

| REV. | DATE | DESCRIPTION | BY: |
|------|----------|------------------------------|-----|
| A | 09/05/12 | ENGINE HARNESS CHANGES | SAM |
| B | 24/05/12 | CORRECTIONS | SAM |
| C | 11/09/14 | WIRE COLOURS MATCHED TO LIST | JWM |
| D | 20/02/15 | RELAY PANEL HARNESS CHANGES | JWM |



- WIRE COLOURS:
- 1 RED 10 G
 - 2 BLACK 10 G
 - 4 D-BLU 14 G
 - 5 YEL 14 G
 - 6 L-BLU 14 G
 - 7 BRN 14 G
 - 9 PUR 14 G
 - 10 ORG 14 G
 - 13 GRN 14 G
 - 14 BLK/WHT 18 G
 - 15 WHT/BLK 18 G
 - 16 GRN/BLK 18G
 - 17 BLU/BLK 18 G
 - 18 ORG/BLK 18 G
 - 19 GRN 18 G
 - 20 RED/BLK 18 G
 - 21 BLU 18 G
 - 22 ORG 18 G
 - 23 RED 18 G
 - 24 BLK 18 G
 - 25 WHT 18 G
 - 28 GRY 10 G
 - 31 D-BLU 14 G
 - 32 GRN 14 G



APPROVED
 THIS DRAWING IS APPROVED
 WITH THE FOLLOWING REVISIONS.
 SIGNED: SAM
 DATED: JULY 10, 2012

PART NO.
 W/HEAT M920264
 W/HEAT M920263
 DATE JUN 27, 2012

| ITEM | DESCRIPTION | QTY |
|------|--------------|-----|
| 1 | RELAYS BOARD | 1 |

ADVANCED TEMPERATURE CONTROL

1416 GRAHAM'S LANE
 BURLINGTON, ONT.
 L7S 1W3
 TEL: (905) 637-3468
 FAX: (905) 637-3363

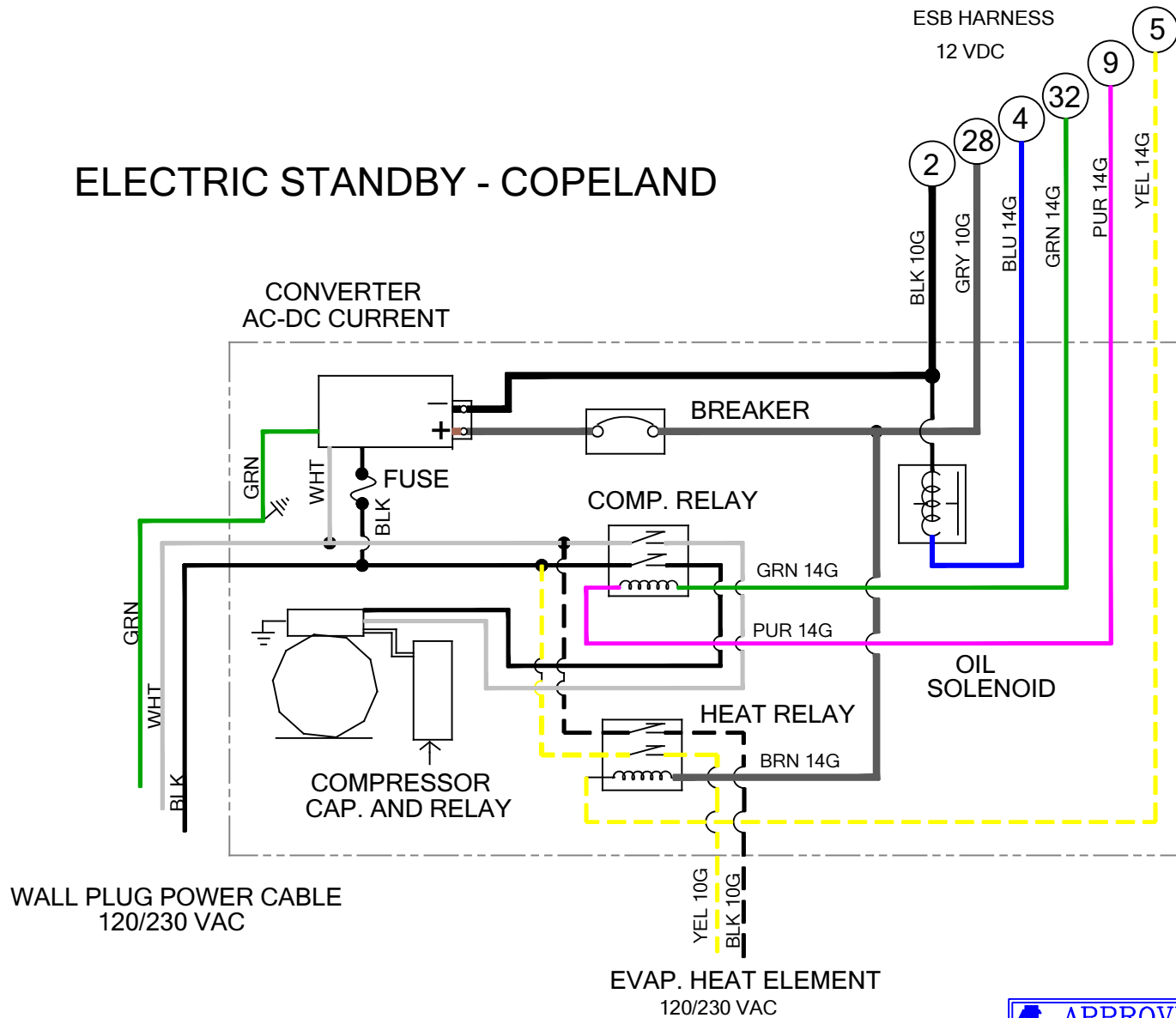
| TITLE | ENG. REF |
|--|-----------------------|
| WIRING DIAGRAM MED TEMP. OVER THE ROAD & ELEC. STANDBY W/WO HEAT | DATA/COM/ENG-REF/9127 |
| DRAWN SAM | DATE 28-03-2012 |
| DWG NO MRSH-9127-3 | CHECK |
| PART NO: | DATE D |

NOTE - "OPTIONAL HEAT IS SHOWN BY DASHED LINES"

THIS DRAWING IS THE PROPERTY OF ATC, THE INFORMATION CONTAINED HEREIN MAY NOT BE USED OR DISTRIBUTED BY OTHER PARTIES WITHOUT THE EXPRESS WRITTEN CONSENT OF ATC.

| REV. | DATE | DESCRIPTION | BY: |
|------|----------|----------------------|-----|
| A | 16/05/12 | WIRE HARNESS CHANGES | SAM |
| B | 11/09/14 | WIRE COLOURS | JWM |
| C | 10/02/15 | CORRECTIONS | JWM |

ELECTRIC STANDBY - COPELAND



UNIT INTERNAL COLOR CODE:
 BLUE=BLU, BROWN=BRN, BLACK=BLK, ORANGE=ORG, PURPLE=PUR, RED=RED, YELLOW=YEL, WHITE=WHT, DARK=D, LIGHT=L

APPROVED
 THIS DRAWING IS APPROVED
 WITH THE FOLLOWING REVISIONS.
 SIGNED:
 DATED: JULY 10, 2012

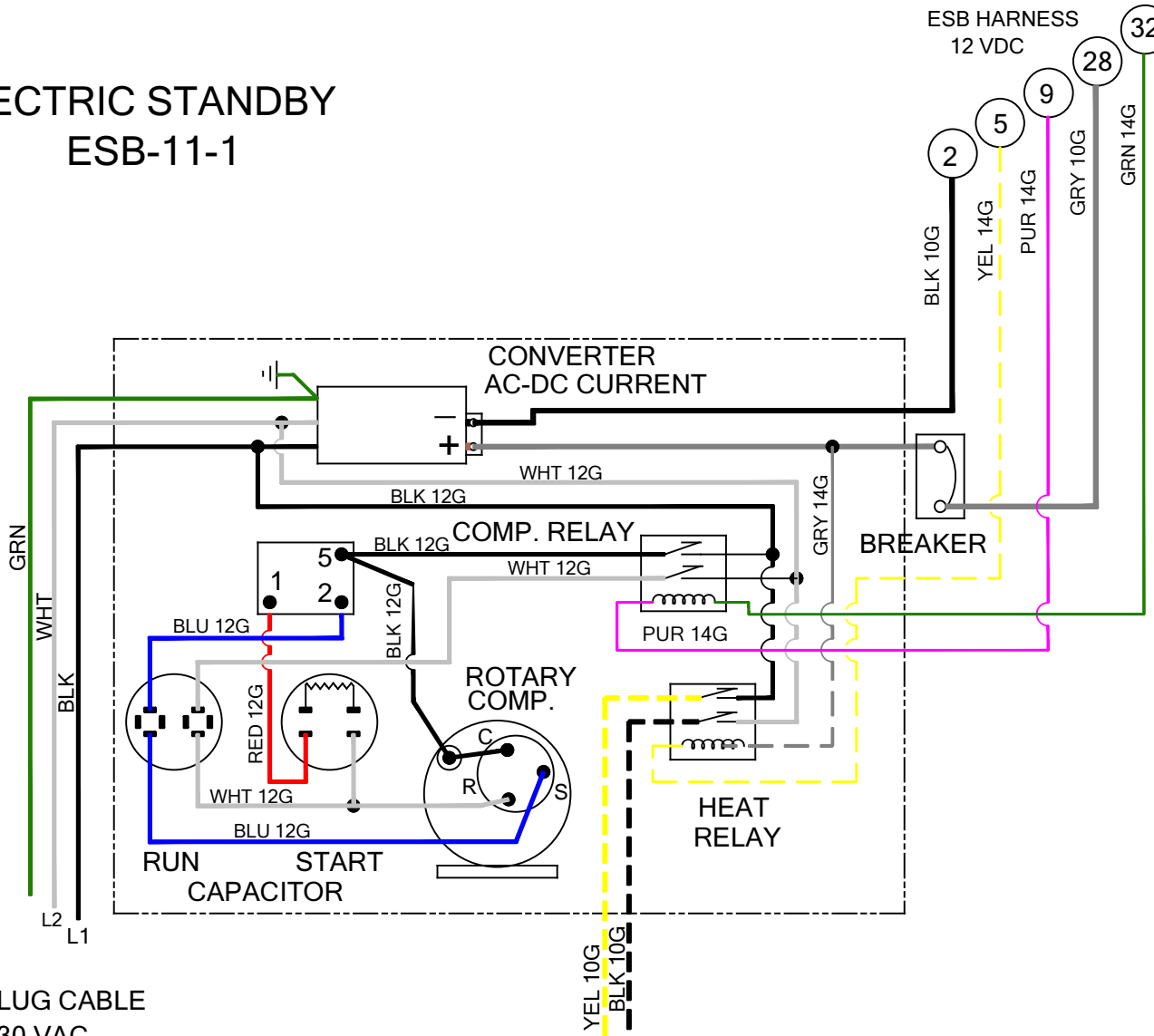
| ITEM | DESCRIPTION | QTY |
|------|------------------|-----|
| | CONDENSER WIRING | 1 |

ADVANCED TEMPERATURE CONTROL
 1416 GRAHAM'S LANE
 BURLINGTON, ONT.
 L7S 1W3
 TEL: (905) 637-3468
 FAX: (905) 637-3363

| | | | |
|--------|--------------------|----------|-----------------------|
| TITLE | WIRING DIAGRAM | ENG. REF | DATA/COM/ENG-REF/9127 |
| | MED TEMP. WWO HEAT | DRAWN | DATE |
| | | SAM | 28-03-2012 |
| DWG NO | MRSH-9127-7 | CHECK | DATE |
| | | | C |

ELECTRIC STANDBY ESB-11-1

| REV. | DATE | DESCRIPTION | BY: |
|------|-------------|------------------------|-----|
| A | NOV 20 2014 | WIRE COLOURS CORRECTED | JWM |
| B | FEB 10 2015 | CORRECTIONS | JWM |




WALL PLUG CABLE
120/230 VAC

EVAP. HEAT ELEMENT
120 / 230 VAC

UNIT INTERNAL COLOR CODE:
BLUE=BLU, BROWN=BRN, BLACK=BLK, ORANGE=ORG, PURPLE=PUR, RED=RED, YELLOW=YEL, WHITE=WHT, DARK=D, LIGHT=L, GREEN=GRN

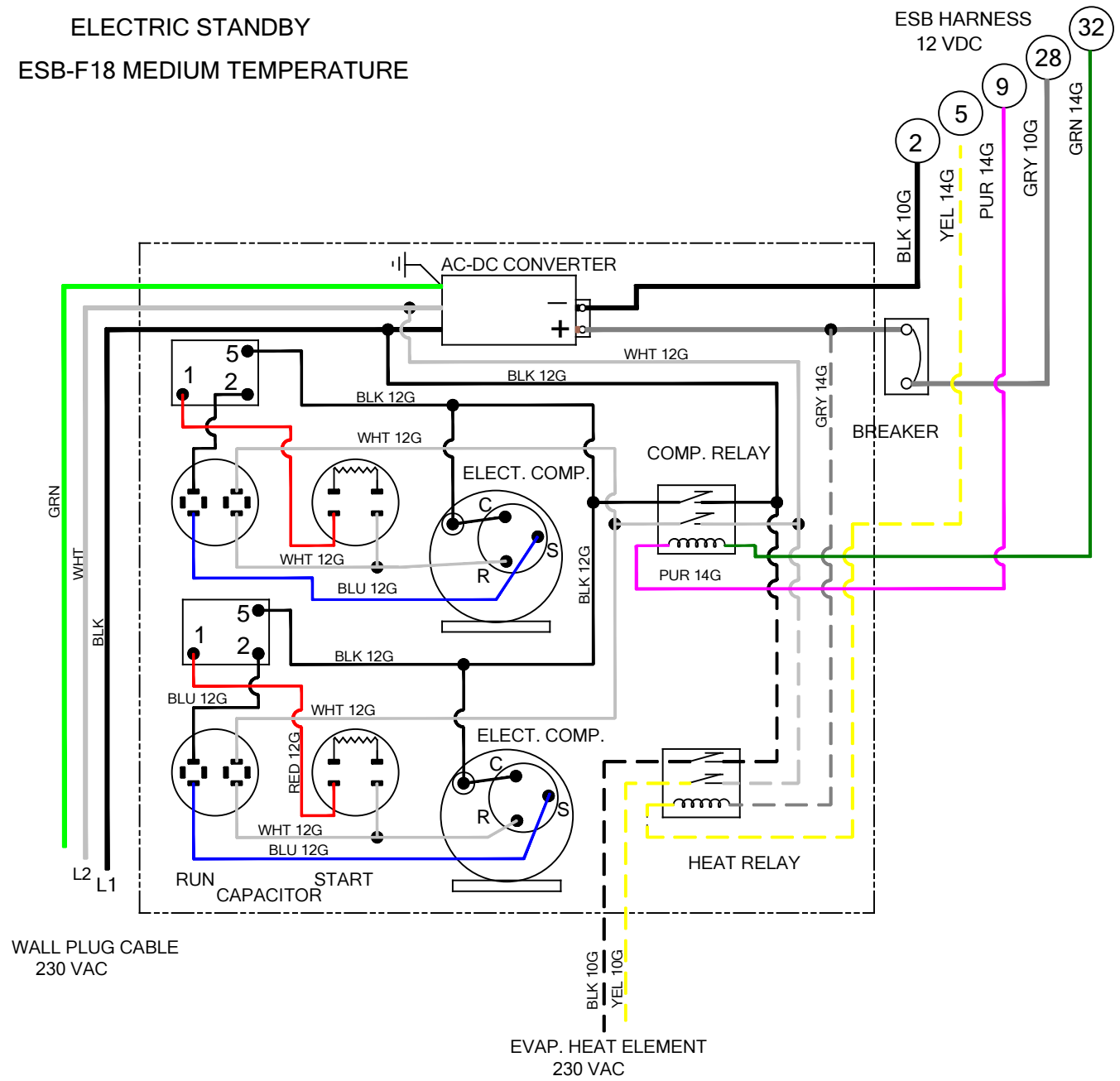
THIS DRAWING IS THE PROPERTY OF ATC, THE INFORMATION CONTAINED HEREIN MAY NOT BE USED OR DISTRIBUTED BY OTHER PARTIES WITHOUT THE EXPRESS WRITTEN CONSENT OF ATC.



| 1 | STAND-BY WIRING | 1 |
|--|-----------------------------|------------------------------------|
| ITEM | DESCRIPTION | QTY |
|  ADVANCED TEMPERATURE CONTROL 1416 GRAHAM'S LANE BURLINGTON, ONT. L7S 1W3 TEL: (905) 637-3468 FAX: (905) 637-3363 | | |
| TITLE | WIRING DIAGRAM W/WO HEAT | ENG. REF DATACOM/ENG-REF/9136 |
| DWG NO | MRSH-9136-7 | DRAWN SAM DATE 30-05-2013 |
| | | CHECK DATE B |

ELECTRIC STANDBY ESB-F18 MEDIUM TEMPERATURE


| REV. | DATE | DESCRIPTION | BY: |
|------|----------|------------------------|-----|
| A | 13/11/14 | WIRE COLOURS CORRECTED | JWM |
| B | 10/02/15 | CORRECTIONS | JWM |



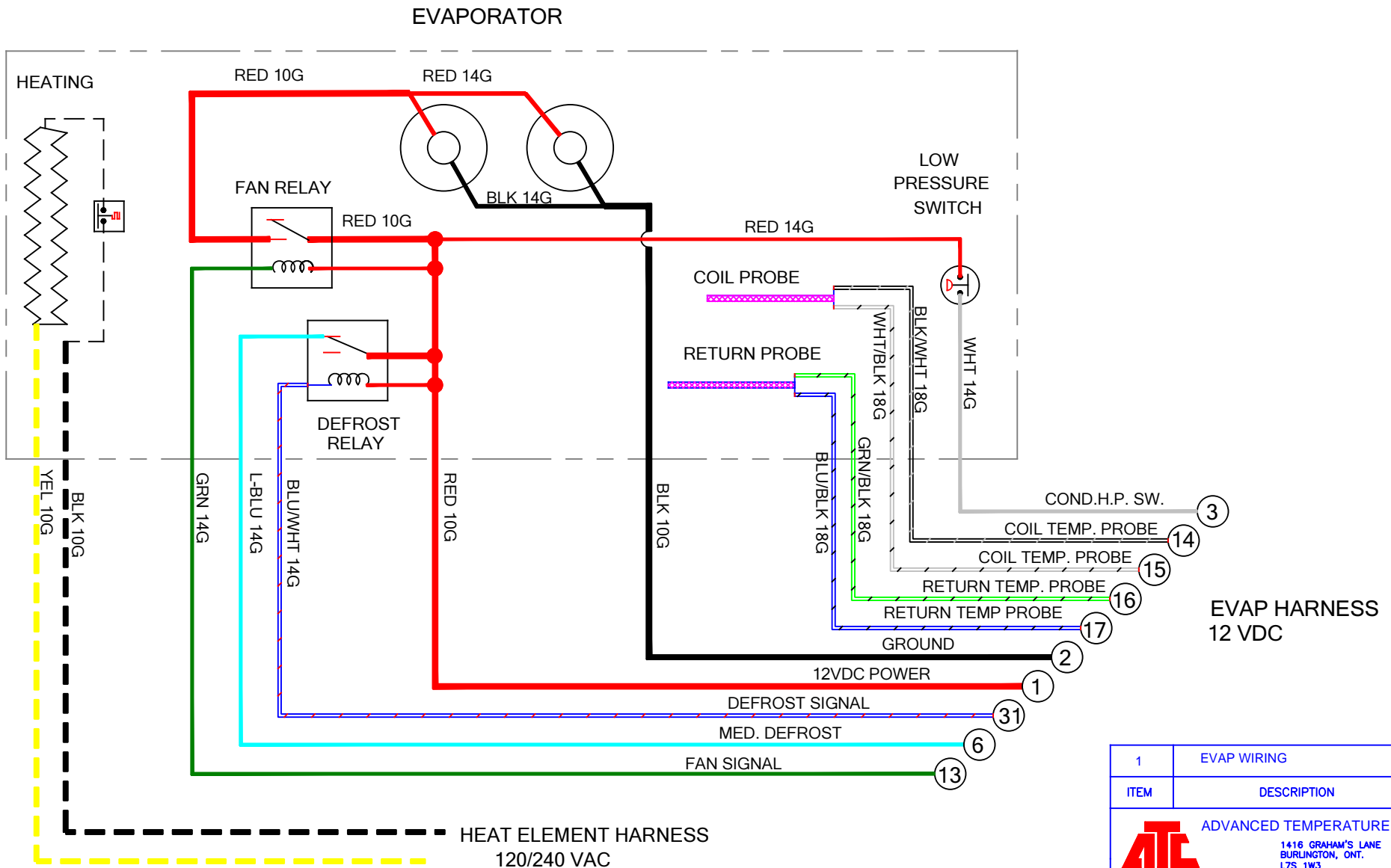
UNIT INTERNAL COLOR CODE:
 BLUE=BLU, BROWN=BRN, BLACK=BLK, ORANGE=ORG, PURPLE=PUR, RED=RED, YELLOW=YEL, WHITE=WHT, DARK=D, LIGHT=L, GREEN=GRN



THIS DRAWING IS THE PROPERTY OF ATC, THE INFORMATION CONTAINED HEREIN MAY NOT BE USED OR DISTRIBUTED BY OTHER PARTIES WITHOUT THE EXPRESS WRITTEN CONSENT OF ATC.


| 1 | STAND-BY WIRING | 1 |
|---|----------------------|-----------------------|
| ITEM | DESCRIPTION | QTY |
|  ADVANCED TEMPERATURE CONTROL 1416 GRAHAM'S LANE BURLINGTON, ONT. L7S 1W3 TEL: (905) 637-3468 FAX: (905) 637-3363 | | |
| TITLE | WIRING DIAGRAM | ENG. REF |
| | MED. TEMP. W/WO HEAT | DATA/COM/ENG-REF/9136 |
| DWG NO | MRSH-9141-7 | CHECK |
| | | DATE |
| | | 20-02-2014 |
| | | REV. |
| | | B |

| REV. | DATE | DESCRIPTION | BY: |
|------|----------|--------------|-----|
| A | 27/09/12 | CORRECTIONS | SAM |
| B | 11/09/14 | WIRE COLOURS | JWM |



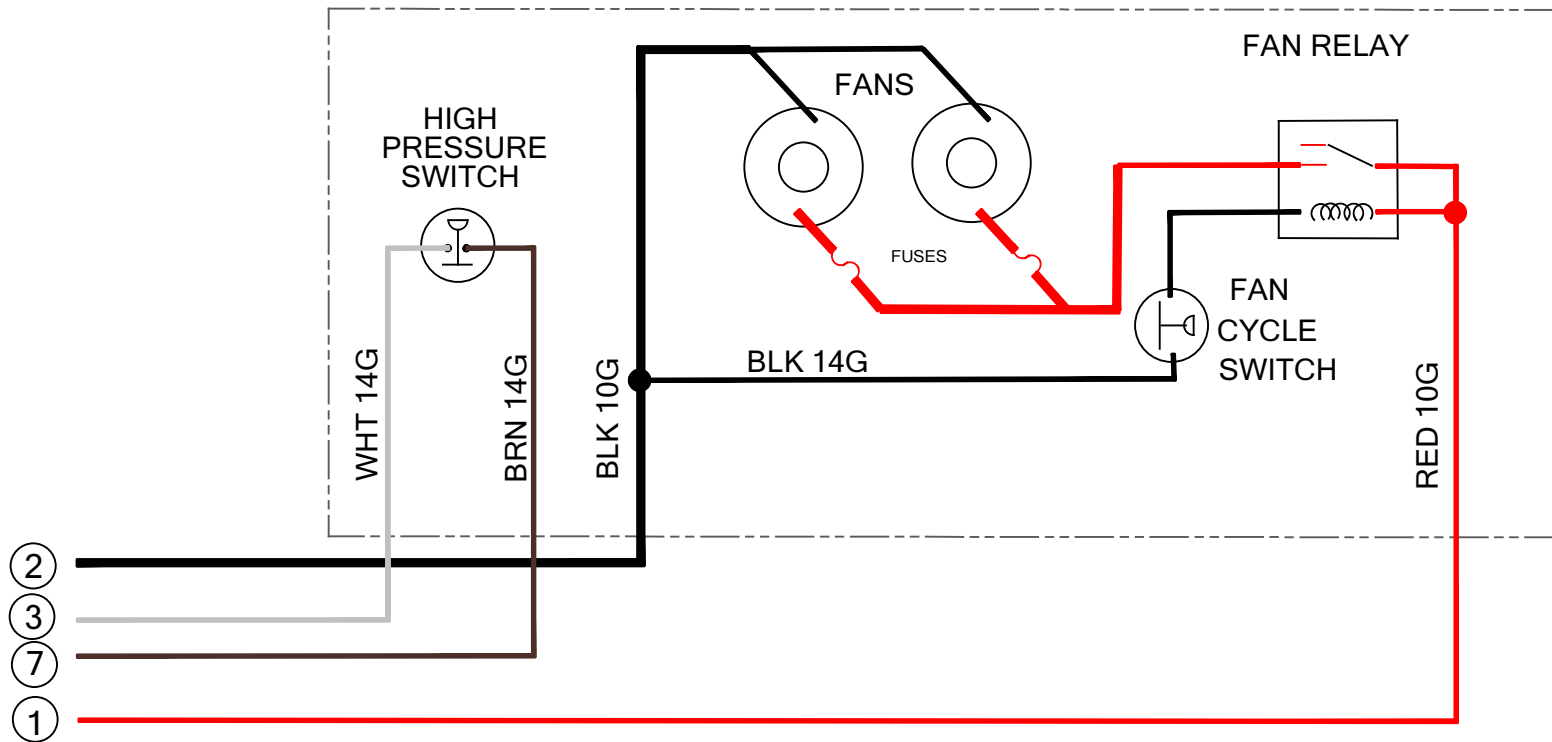
APPROVED
 THIS DRAWING IS APPROVED
 WITH THE FOLLOWING REVISIONS.
 SIGNED: SAM
 DATED: JULY 10, 2012


| ITEM | DESCRIPTION | QTY |
|------|-------------|-----|
| 1 | EVAP WIRING | 1 |

| | |
|--|---|
|  ADVANCED TEMPERATURE CONTROL 1416 GRAHAM'S LANE BURLINGTON, ONT. L7S 1W3 TEL: (905) 637-3468 FAX: (905) 637-3363 | |
| TITLE WIRING DIAGRAM EVAPORATORS MED. TEMP. WWO HEAT DWG NO MRS-9127-8 | ENG. REF DATACOM/ENG-REF/9127 DRAWN SAM CHECK SAM DATE 29-03-2012 DATE B |

| REV. | DATE | DESCRIPTION | BY: |
|------|----------|--------------|-----|
| A | 27/09/12 | CORRECTIONS | SAM |
| B | 11/09/14 | WIRE COLOURS | JWM |

CONDENSER



| ITEM | DESCRIPTION | QTY |
|---|--------------------------|-----------------------------------|
|  ADVANCED TEMPERATURE CONTROL 1416 GRAHAM'S LANE BURLINGTON, ONT. L7S 1W3 TEL: (905) 637-3468 FAX: (905) 637-3363 | | |
| TITLE: WIRING DIAGRAM MED. TEMP. CONDENSER | | ENG. REF: DATACOM/ENG-REF/9127 |
| DWG NO: MRSH-9127-9 | DRAWN: SAM CHECK: SAM | DATE: 29/03/2012 DATE: B |

 **APPROVED**
 THIS DRAWING IS APPROVED
 WITH THE FOLLOWING REVISIONS.
 SIGNED: SAM
 DATED: JULY 10, 2012