

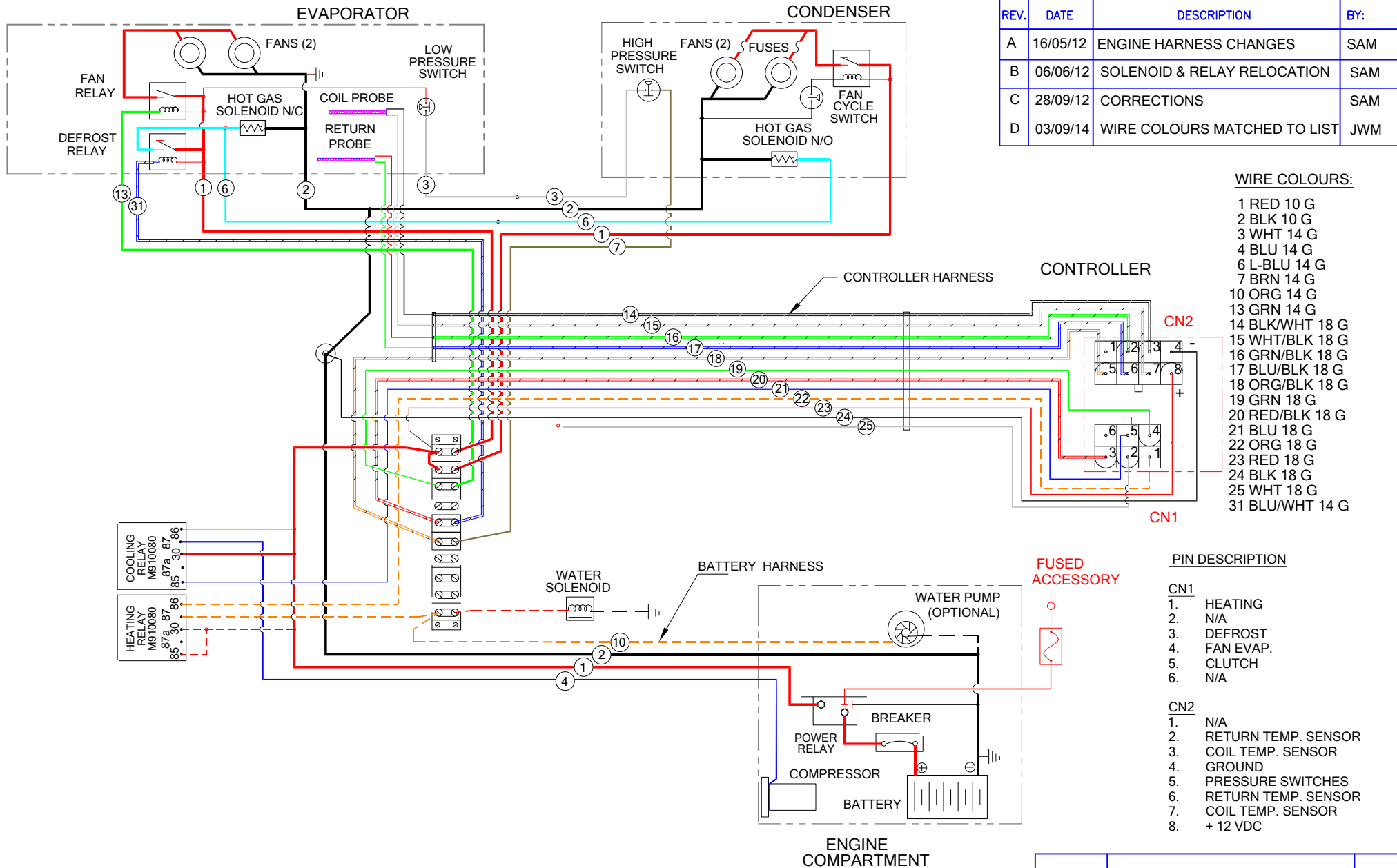


ADVANCED TEMPERATURE CONTROL TRUCK REFRIGERATION SYSTEMS


UNIT WIRING DIAGRAMS FOR LOW TEMPERATURE UNITS

**ADVANCED TEMPERATURE CONTROL
1416 GRAHAM'S LANE
BURLINGTON, ONTARIO
CANADA
L7S 1W3**

Manual P.N. M960329 Revision F, Mar. 18, 2015



REV.	DATE	DESCRIPTION	BY:
A	16/05/12	ENGINE HARNESS CHANGES	SAM
B	06/06/12	SOLENOID & RELAY RELOCATION	SAM
C	28/09/12	CORRECTIONS	SAM
D	03/09/14	WIRE COLOURS MATCHED TO LIST	JWM

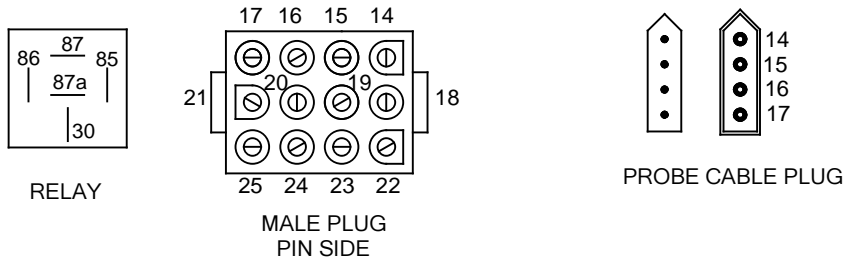
ITEM	DESCRIPTION	QTY
ADVANCED TEMPERATURE CONTROL		
		
TITLE	WIRING DIAGRAM LOW TEMP. OVER THE ROAD W/WO HEAT	ENG. REF M:/SAM/SLDATA/ATC/9127
DWG NO	LRH-9127-2	DRAWN SAM DATE 22-03-12
		CHECK DATE D

APPROVED
THIS DRAWING IS APPROVED
WITH THE FOLLOWING REVISIONS.
SIGNED: SAM
DATED: JUNE 16, 2012

NOTE - "OPTIONAL HEAT IS SHOWN BY DASHED LINES"

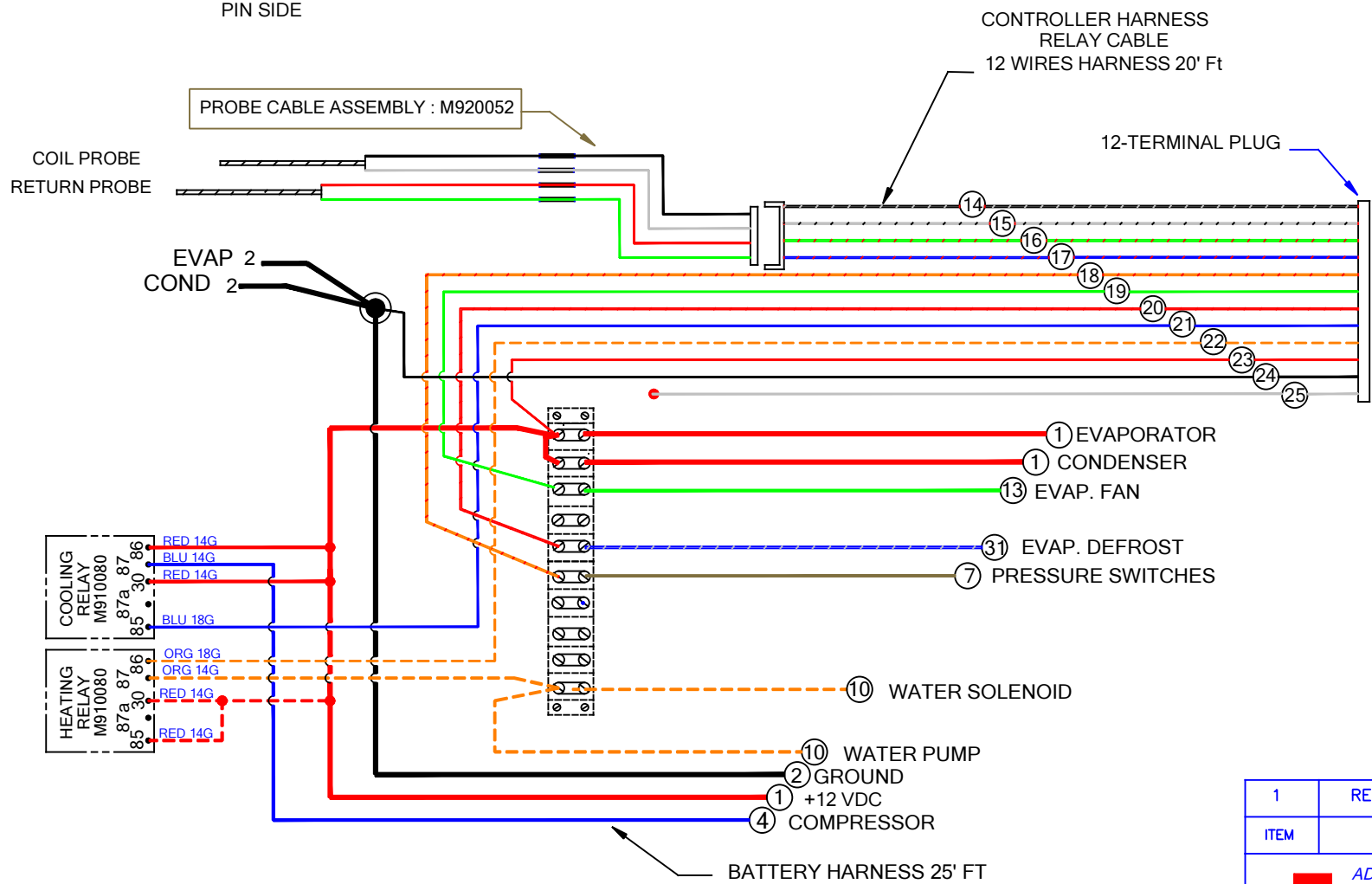
THIS DRAWING IS THE PROPERTY OF ATC, THE INFORMATION CONTAINED HEREIN MAY NOT BE USED OR DISTRIBUTED BY OTHER PARTIES WITHOUT THE EXPRESS WRITTEN CONSENT OF ATC.

REV.	DATE	DESCRIPTION	BY:
A	28/09/12	CORRECTIONS	SAM
B	03/09/14	WIRE COLOURS MATCHED TO LIST	JWM
C	10/02/15	CORRECTIONS	JWM



WIRE COLOURS:

- 1 RED 10 G
- 2 BLACK 10 G
- 4 D-BLU 14 G
- 7 BRN 14 G
- 9 PUR 14 G
- 10 ORG 14 G
- 13 GRN 14 G
- 14 BLK/WHT 18 G
- 15 WHT/BLK 18 G
- 16 GRN/BLK 18G
- 17 BLU/BLK 18 G
- 18 ORG/BLK 18 G
- 19 GRN 18 G
- 20 RED/BLK 18 G
- 21 BLU 18 G
- 22 ORG 18 G
- 23 RED 18 G
- 24 BLK 18 G
- 25 WHT 18 G
- 31 BLU/WHT 14 G




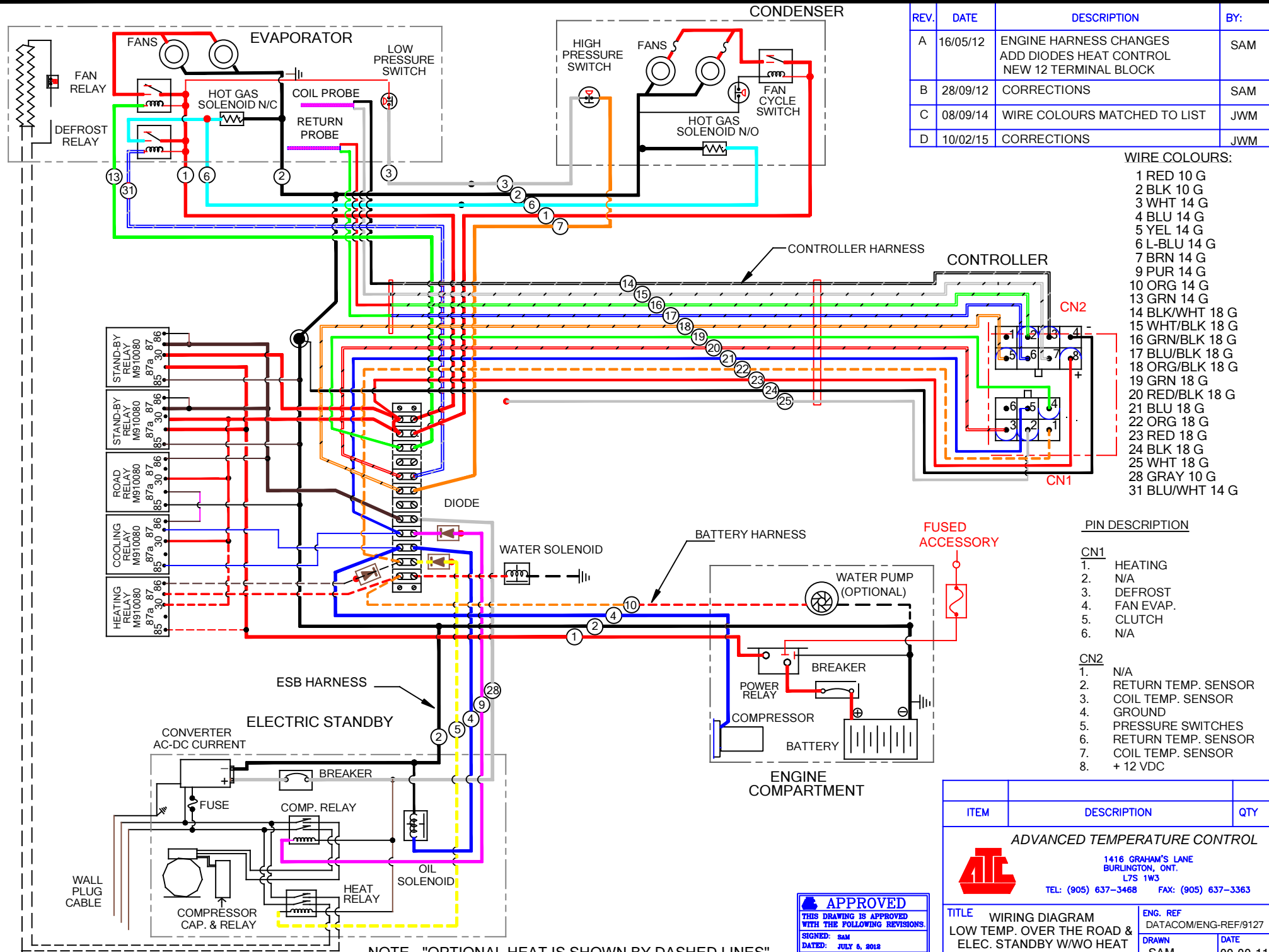
NOTE - "OPTIONAL HEAT IS SHOWN BY DASHED LINES"

APPROVED
 THIS DRAWING IS APPROVED
 WITH THE FOLLOWING REVISIONS.
 SIGNED: S.A.
 DATED: JULY 6, 2012


PART NO.
 W/O HEAT M920265
 W HEAT M920270
 DATE JUL 3, 2012

ITEM	DESCRIPTION	QTY
1	RELAYS BOARD	1

ADVANCED TEMPERATURE CONTROL		
		
1416 GRAHAM'S LANE BURLINGTON, ONT. L7S 1W3 TEL: (905) 637-3468 FAX: (905) 637-3363		
TITLE WIRING DIAGRAM LOW TEMP. OVER THE ROAD W/O HEAT		ENG. REF DATACOM/ENG-REF/9127
DWG NO LRH-9127-3	CHECK SAM	DATE 22-03-2012
PART NO:		DATE C

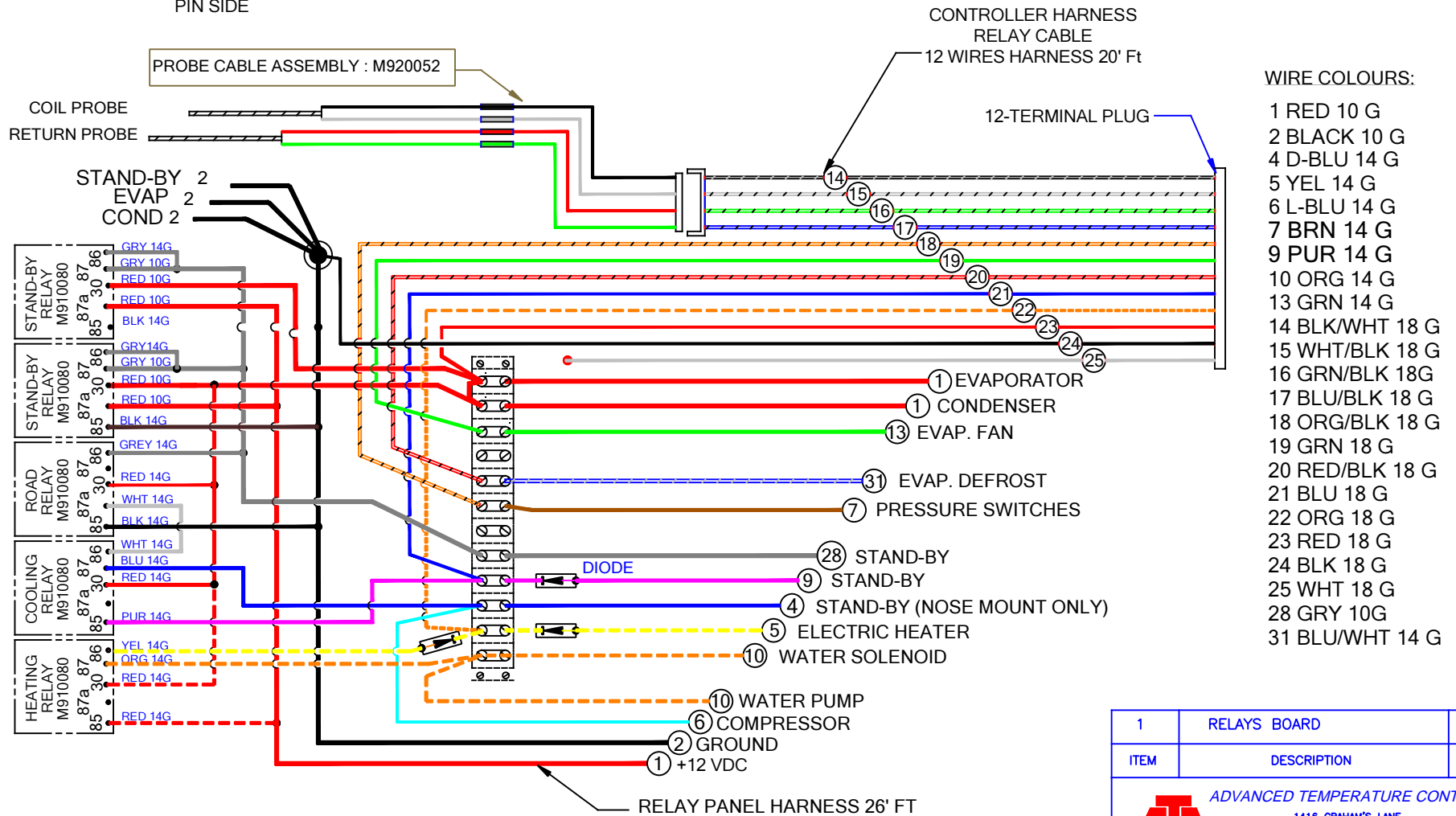
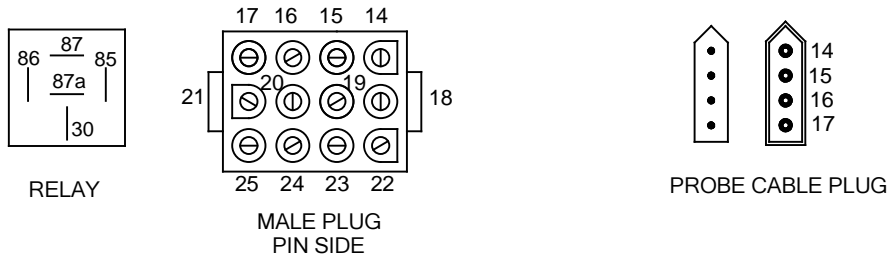


REV.	DATE	DESCRIPTION	BY:
A	16/05/12	ENGINE HARNESS CHANGES ADD DIODES HEAT CONTROL NEW 12 TERMINAL BLOCK	SAM
B	28/09/12	CORRECTIONS	SAM
C	08/09/14	WIRE COLOURS MATCHED TO LIST	JWM
D	10/02/15	CORRECTIONS	JWM

ITEM	DESCRIPTION	QTY
ADVANCED TEMPERATURE CONTROL		
 1416 GRAHAM'S LANE BURLINGTON, ONT. L7S 1W3 TEL: (905) 637-3468 FAX: (905) 637-3363		
TITLE WIRING DIAGRAM		ENG. REF DATACOM/ENG-REF/9127
LOW TEMP. OVER THE ROAD & ELEC. STANDBY W/WO HEAT		DRAWN SAM DATE 09-09-11
DWG NO LRS-9127-2	CHECK	DATE

APPROVED
 THIS DRAWING IS APPROVED WITH THE FOLLOWING REVISIONS.
 SIGNED: SAM
 DATED: JULY 6, 2012

REV	DATE	DESCRIPTION	BY:
A	14/05/12	ENGINE HARNESS CHANGES	SAM
B	06/07/12	ADD 2 DIODE	SAM
C	28/09/12	CORRECTIONS	SAM
D	08/09/14	WIRE COLOURS MATCHED TO LIST	JWM
E	10/02/15	CORRECTIONS	JWM
F	20/02/15	RELAY PANEL HARNESS CHANGES	JWM
G	11/03/15	WIRE 4 DESCRIPTION	JQ




- WIRE COLOURS:**
- 1 RED 10 G
 - 2 BLACK 10 G
 - 4 D-BLU 14 G
 - 5 YEL 14 G
 - 6 L-BLU 14 G
 - 7 BRN 14 G
 - 9 PUR 14 G
 - 10 ORG 14 G
 - 13 GRN 14 G
 - 14 BLK/WHT 18 G
 - 15 WHT/BLK 18 G
 - 16 GRN/BLK 18 G
 - 17 BLU/BLK 18 G
 - 18 ORG/BLK 18 G
 - 19 GRN 18 G
 - 20 RED/BLK 18 G
 - 21 BLU 18 G
 - 22 ORG 18 G
 - 23 RED 18 G
 - 24 BLK 18 G
 - 25 WHT 18 G
 - 28 GRY 10G
 - 31 BLU/WHT 14 G

NOTE - "OPTIONAL HEAT IS SHOWN BY DASHED LINES"

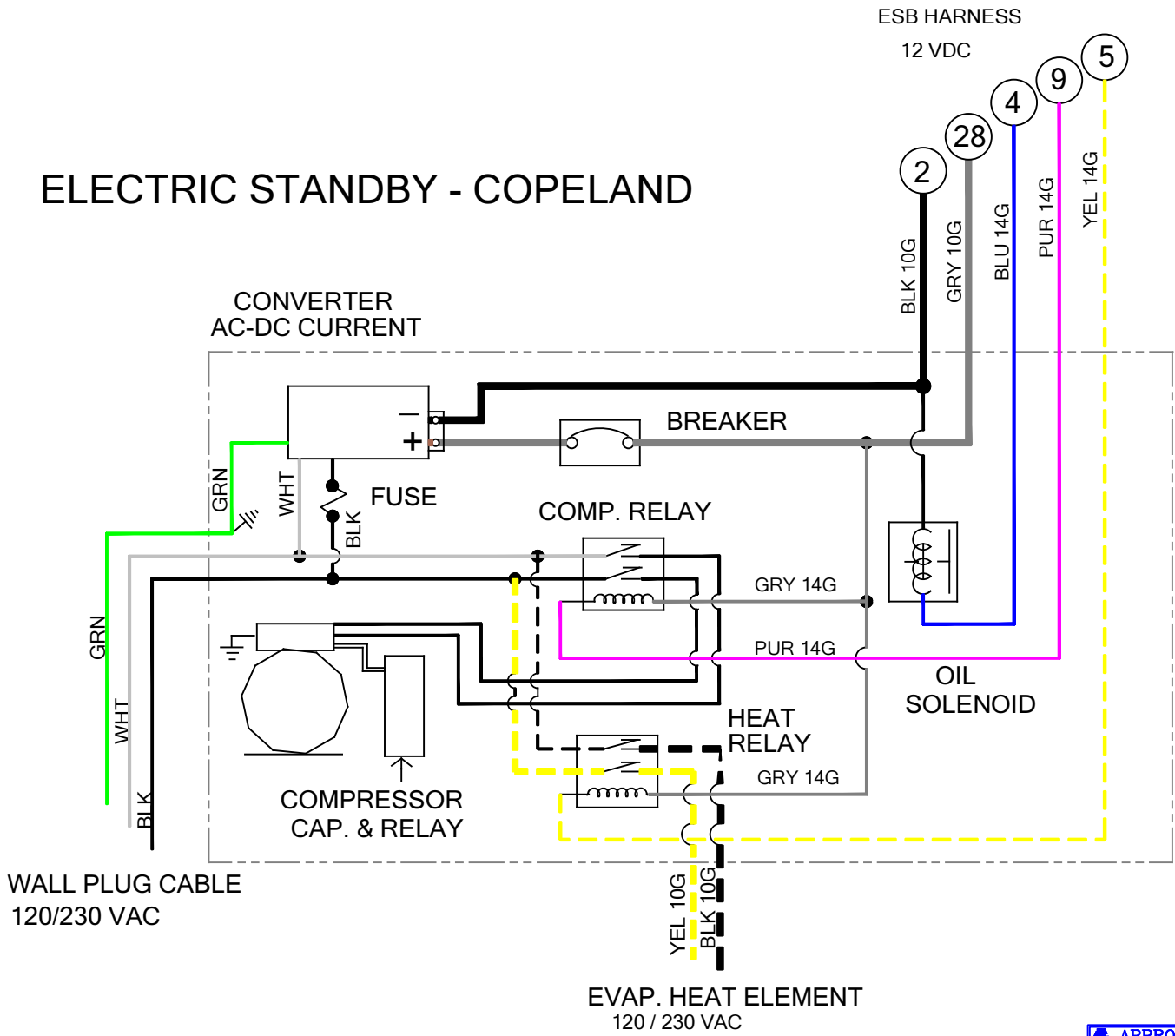
APPROVED
 THIS DRAWING IS APPROVED
 WITH THE FOLLOWING REVISIONS.
 SIGNED: SAM
 DATED: JULY 7, 2012

PART NO.
 W/O HEAT M920267
 W/HEAT M920266
 DATE JUN 27, 2012

1	RELAYS BOARD	1
ITEM	DESCRIPTION	QTY
ADVANCED TEMPERATURE CONTROL  1416 GRAHAM'S LANE BURLINGTON, ONT. L7S 1W3 TEL: (905) 637-3488 FAX: (905) 637-3363		
TITLE WIRING DIAGRAM		ENG. REF
LOW TEMP. OVER THE ROAD & ELEC. STANDBY W/O HEAT		DATACOM/ENG-REF/9127
DRAWN	SAM	DATE
		04-01-2012
DWG NO	LRSH-9127-3	CHECK
PART NO:		DATE
		G

REV.	DATE	DESCRIPTION	BY:
A	28/09/12	CORRECTIONS	SAM
B	08/09/14	WIRE COLOURS	JWM
C	10/02/15	CORRECTIONS	JWM

ELECTRIC STANDBY - COPELAND




WALL PLUG CABLE
120/230 VAC

EVAP. HEAT ELEMENT
120 / 230 VAC

UNIT INTERNAL COLOR CODE:
BLUE=BLU, BROWN=BRN, BLACK=BLK, ORANGE=ORG, PURPLE=PUR, RED=RED, YELLOW=YEL, WHITE=WHT, DARK=D, LIGHT=L

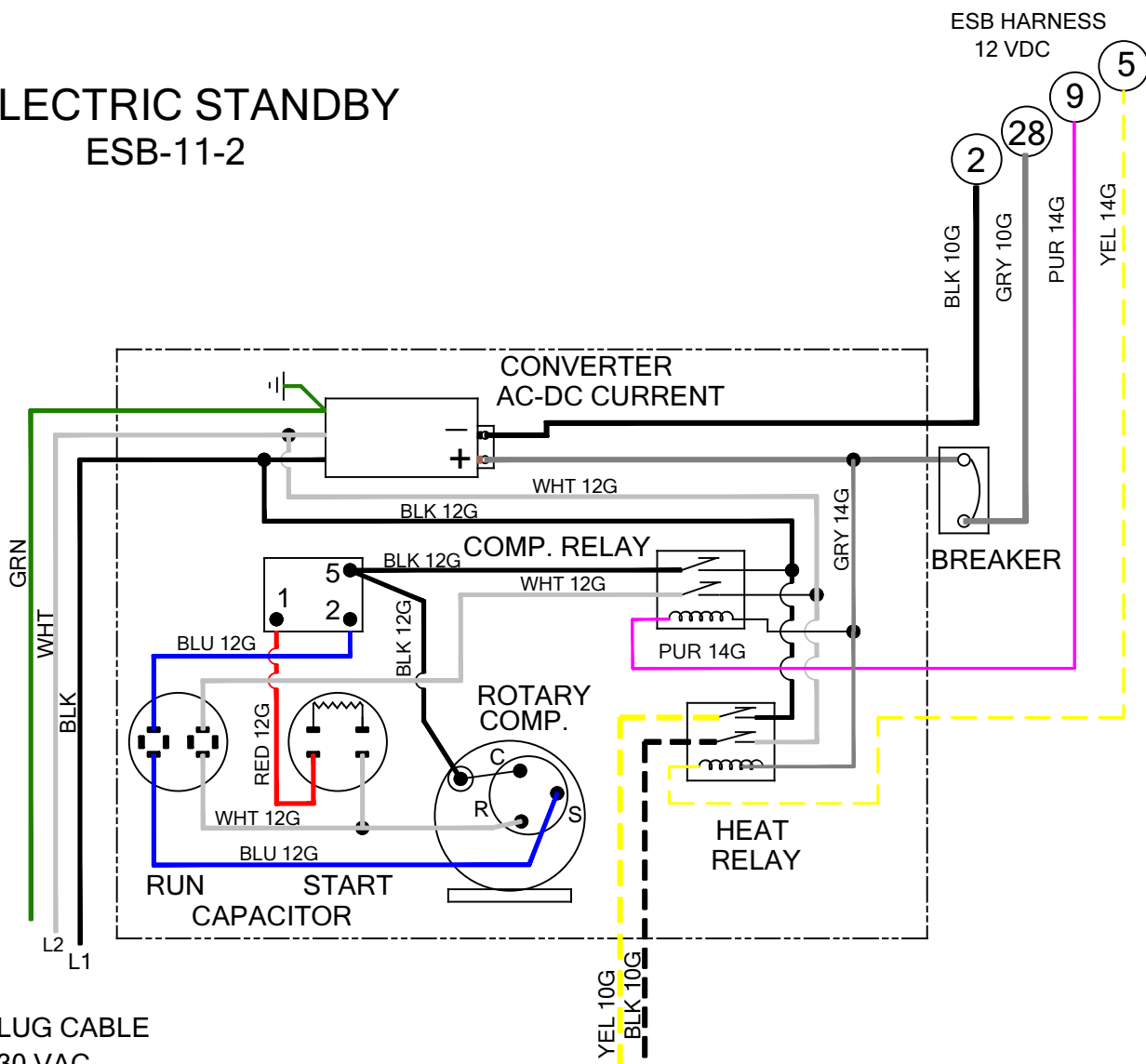


1	STAND-BY WIRING	1
ITEM	DESCRIPTION	QTY
	ADVANCED TEMPERATURE CONTROL	
 1416 GRAHAM'S LANE BURLINGTON, ONT. L7S 1W3 TEL: (905) 637-3468 FAX: (905) 637-3363		
WIRING DIAGRAM		ENG. REF
LOW TEMP. W/WO HEAT		DATA/COM/ENG-REF/9127
DWG NO	LRSH-9127-7	CHECK DATE
		C

REV.	DATE	DESCRIPTION	BY:
A	NOV 20 2014	WIRE COLOURS CORRECTED	JWM
B	FEB 10 2015	CORRECTIONS	JWM

ELECTRIC STANDBY

ESB-11-2




WALL PLUG CABLE
120/230 VAC

EVAP. HEAT ELEMENT
120 / 230 VAC

UNIT INTERNAL COLOR CODE:
BLUE=BLU, BROWN=BRN, BLACK=BLK, ORANGE=ORG, PURPLE=PUR, RED=RED, YELLOW=YEL, WHITE=WHT, DARK=D, LIGHT=L

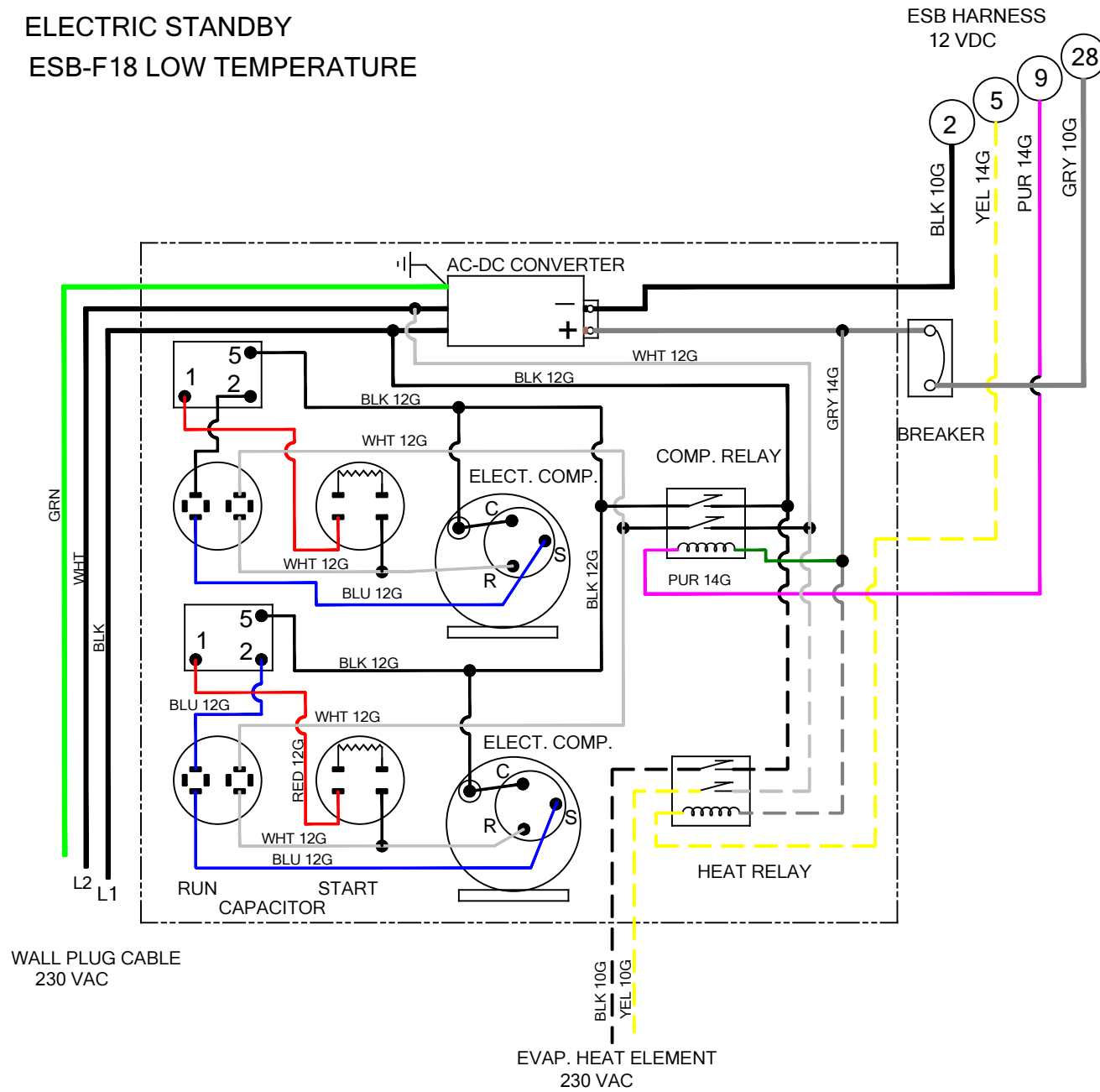
THIS DRAWING IS THE PROPERTY OF ATC, THE INFORMATION CONTAINED HEREIN MAY NOT BE USED OR DISTRIBUTED BY OTHER PARTIES WITHOUT THE EXPRESS WRITTEN CONSENT OF ATC.



1	STAND-BY WIRING	1
ITEM	DESCRIPTION	QTY
 ADVANCED TEMPERATURE CONTROL 1416 GRAHAM'S LANE BURLINGTON, ONT. L7S 1W3 TEL: (905) 637-3488 FAX: (905) 637-3363		
TITLE	WIRING DIAGRAM W/WO HEAT	ENG. REF DATACOM/ENG-REF/9136
DWG NO	LRSH-9136-7	DRAWN SAM DATE 30-05-2013
		CHECK DATE B

ELECTRIC STANDBY ESB-F18 LOW TEMPERATURE

REV.	DATE	DESCRIPTION	BY:
A	13/11/14	WIRE COLOURS CORRECTED	JWM
B	10/02/15	CORRECTIONS	JWM



WALL PLUG CABLE
230 VAC

EVAP. HEAT ELEMENT
230 VAC

UNIT INTERNAL COLOR CODE:
BLUE=BLU, BROWN=BRN, BLACK=BLK, ORANGE=ORG, PURPLE=PUR, RED=RED, YELLOW=YEL, WHITE=WHT, DARK=D, LIGHT=L, GREEN=GRN

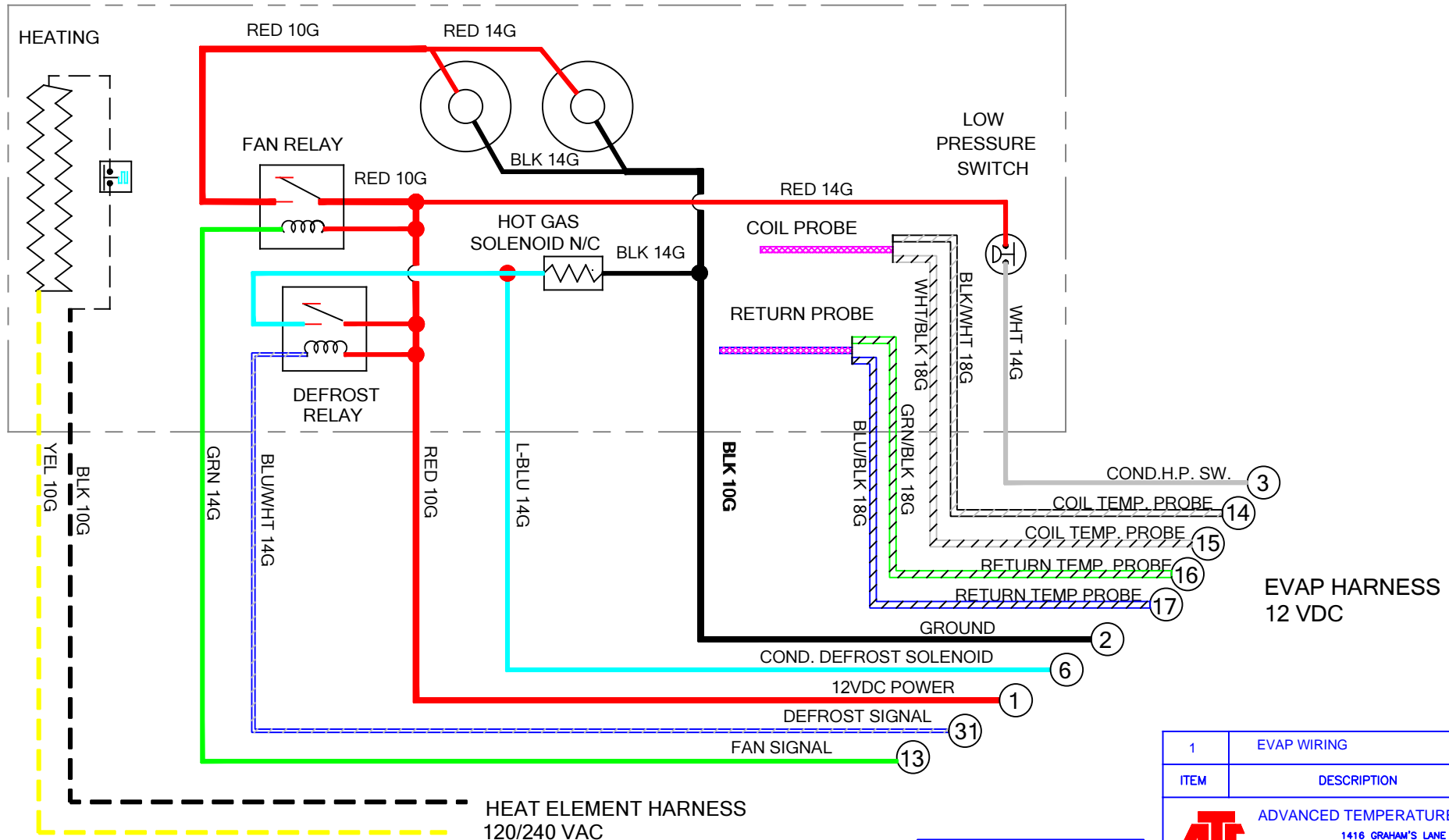
THIS DRAWING IS THE PROPERTY OF ATC, THE INFORMATION CONTAINED HEREIN MAY NOT BE USED OR DISTRIBUTED BY OTHER PARTIES WITHOUT THE EXPRESS WRITTEN CONSENT OF ATC.



1	STAND-BY WIRING	1
ITEM	DESCRIPTION	QTY
ADVANCED TEMPERATURE CONTROL 1416 GRAHAM'S LANE BURLINGTON, ONT. L7S 1W3 TEL: (905) 637-3468 FAX: (905) 637-3363		
TITLE	WIRING DIAGRAM	ENG. REF
LOW TEMP. W/WO HEAT		DATA/COM/ENG-REF/9141
DWG NO	LRSH-9141-71	CHECK
		DATE
		11-11-2014
		REV.
		B

REV.	DATE	DESCRIPTION	BY:
A	28/09/12	CORRECTION	SAM
B	09/09/14	WIRE COLOURS	SAM

EVAPORATOR



APPROVED
 THIS DRAWING IS APPROVED WITH THE FOLLOWING REVISIONS.
 SIGNED: SAM
 DATED: JULY 10, 2012

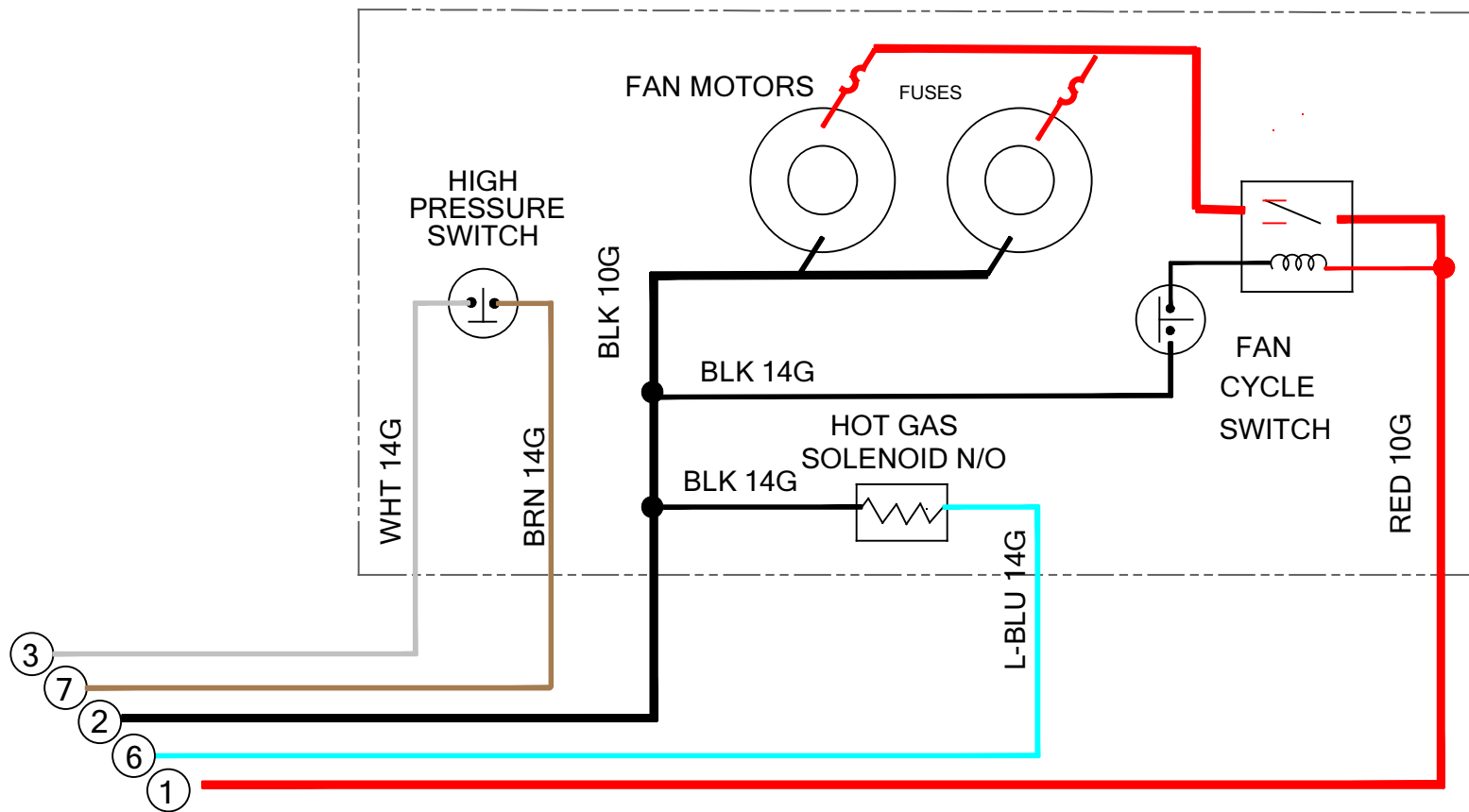
ITEM	DESCRIPTION	QTY
1	EVAP WIRING	1

ADVANCED TEMPERATURE CONTROL
 1416 GRAHAM'S LANE
 BURLINGTON, ONT.
 L7S 1W3
 TEL: (905) 637-3468
 FAX: (905) 637-3363


TITLE	WIRING DIAGRAM EVAPORATORS LOW TEMP. W/WO HEAT	ENG. REF	DATACOM/ENG-REF/9127
DRAWN	SAM	DATE	21-02-2012
DWG NO	LRSH-9127-8	CHECK	DATE
			B

REV.	DATE	DESCRIPTION	BY:
A	SEPT 9 2014	WIRE COLOURS	JWM

CONDENSER



APPROVED
 THIS DRAWING IS APPROVED
 WITH THE FOLLOWING REVISIONS.
 SIGNED: SAM
 DATED: JULY 10, 2012

ITEM	DESCRIPTION	QTY
 ADVANCED TEMPERATURE CONTROL 1416 GRAHAM'S LANE BURLINGTON, ONT. L7S 1W3 TEL: (905) 637-3468 FAX: (905) 637-3363		
TITLE: WIRING DIAGRAM LOW TEMP. CONDENSER		ENG. REF: DATACOM/ENG-REF/9127
DWG NO: LRS-9127-9	DRAWN: SAM	DATE: 20/03/2012
	CHECK:	DATE: A