



**ADVANCED TEMPERATURE CONTROL**  
**TRUCK REFRIGERATION SYSTEMS**

**SERIES 8**  
**INSTALLATION INFORMATION**

**PART NUMBER M960324**

**1416 GRAHAM'S LANE**  
**BURLINGTON, ONTARIO, CANADA. L7S 1W3**  
**TEL: (905) 637-3468 FAX: (905) 637-3363**  
**[WWW.ATC.CA](http://WWW.ATC.CA)**

# ADVANCED TEMPERATURE CONTROL

## SERIES 8 INSTALLATION INSTRUCTIONS

1. REVIEW ALL THE PARTS PROVIDED IN THE INSTALLATION KIT AND REPORT ANY SHORTAGES OR ERRORS IMMEDIATELY.
2. **CONDENSER:** DEPENDING ON THE APPLICATION THE CONDENSER MAY BE MOUNTED IN ONE OF TWO LOCATIONS.
3. **ROOF MOUNTED:** WILL REQUIRE FOUR (4) ½" MOUNTING HOLES AND A HOLE SUITABLE TO PASS REFRIGERANT AND ELECTRICAL LINES THROUGH. (MOUNTING HARDWARE PACKED WITH THE CONDENSER.)
4. **NOSE MOUNTED:** WILL REQUIRE PERIMETER FASTENERS SUITABLE TO SECURE THE UNIT ON TO THE FRONT BULKHEAD, AND A HOLE SUITABLE TO PASS THE REFRIGERANT AND ELECTRICAL LINES THROUGH. (MOUNTING HARDWARE PACKED WITH THE CONDENSER.)
5. **EVAPORATOR:** THE EVAPORATOR IS DESIGNED TO BE CEILING MOUNTED.
6. **CAB CONTROL:** THE CAB CONTROL IS DESIGNED TO BE MOUNTED IN A CONVENIENT LOCATION IN THE CAB TO ALLOW THE OPERATOR ACCESS TO SET THE BOX TEMPERATURE.
7. **LOW VOLTAGE PROTECTION:** THIS CONTROL IS DESIGNED TO MOUNT NEAR THE CAB CONTROL, IN THE FUSED ACCESSORY LINE. (SEE THE ATTACHED WIRING DIAGRAM)
8. **POWER SOLENOID (100 AMP):** THE POWER SOLENOID AND THE FUSE SUPPLIED WITH THE UNIT MUST BE MOUNTED NEAR THE VEHICLE BATTERY. (SEE THE ATTACHED WIRING DIAGRAM)
9. **REFRIGERANT LINES:** THE REFRIGERANT LINES SHOULD BE INSTALLED USING THE FITTINGS AND HOSE SUPPLIED IN THE INSTALLATION KIT. (SEE THE ATTACHED REFRIGERATION CIRCUIT DIAGRAM.)
10. **ELECTRICAL CONNECTIONS:** FOR ALL ELECTRICAL CONNECTIONS PLEASE REFER TO THE ATTACHED WIRING DIAGRAM. **NOTE:** CUT THE 4 GAUGE BATTERY CABLES TO THE REQUIRED LENGTH, AND ENSURE THAT THE CONNECTION ARE PROPERLY ATTACHED.

# **ADVANCED TEMPERATURE CONTROL**

## **SERIES 8 INSTALLATION INSTRUCTIONS**

11. **THE INSTALLED SYSTEM SHOULD THEN BE LEAK TESTED, EVACUATED AND CHARGED BY A QUALIFIED REFRIGERATION TECHNICIAN.**
12. **THE CHARGED SYSTEM SHOULD THEN BE TESTED.**
13. **OIL TYPE: THE A.T.C SERIES 8 SYSTEMS ARE DESIGNED FOR USE WITH 134A REFRIGERANT AND POLYALKYLENE GLYCOL (P.A.G) OIL.**

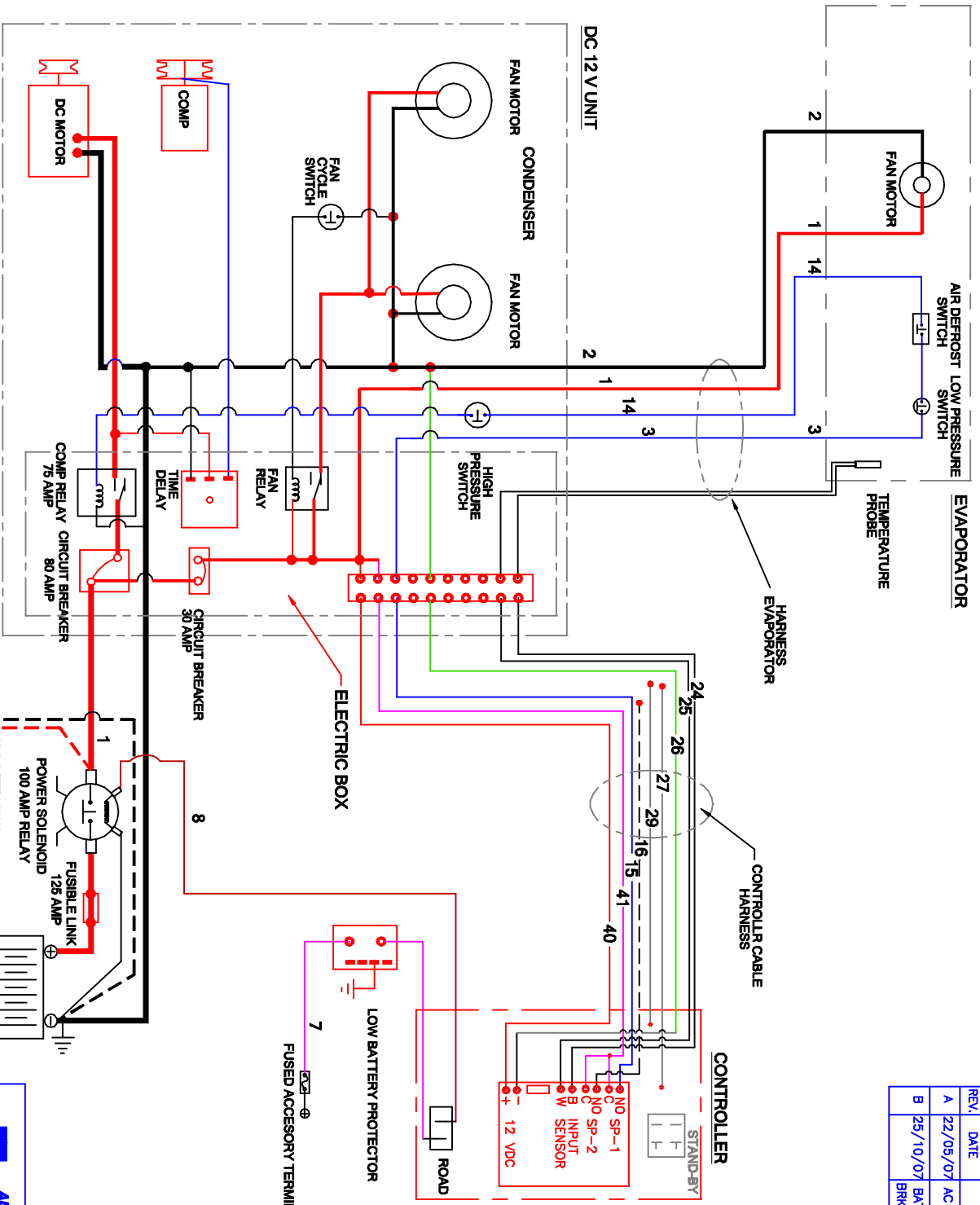
## **SERIES 8 WIRING DIAGRAMS**

- D.C UNIT MEDIUM TEMPERATURE
- D.C UNIT MEDIUM TEMPERATURE CONDENSER SECTION
- D.C UNIT MEDIUM TEMPERATURE CAB CONTROL

## **SERIES 8 REFRIGERATION CIRCUIT**

- D.C UNIT MEDIUM TEMPERATURE REFRIGERATION CIRCUIT

REV.	DATE	DESCRIPTION	BY:
A	22/05/07	AC COMPONENTS ARE ADDED	SAM
B	25/10/07	BATTERY PROTECTOR IS ADDED BRK 70 AMP UPGRADED TO 80 AMP	SAM




**WIRE COLOURS:**

- 1 RED 10g
- 2 BLACK 10g
- 3 WHITE 14g
- 4 LIGHT BLUE 14g
- 7 PURPLE 14g
- 8 TAN 14g
- 10 ORANGE 14g
- 14 LIGHT BLUE 14g
- 15 LIGHT BLUE 18g
- 16 ORANGE 18g
- 24 BLACK 18g
- 25 WHITE 18 g
- 26 GREEN 18 g
- 27 BROWN 18 g
- 29 YELLOW 18g
- 40 RED 18g
- 41 PURPLE 18g

NOTE: AC ELECTRIC COMPONENT ARE OPTIONAL

THIS DRAWING IS THE PROPERTY OF ATC, THE INFORMATION CONTAINED HEREIN MAY NOT BE USED OR DISTRIBUTED BY OTHER PARTIES WITHOUT THE EXPRESS WRITTEN CONSENT OF ATC.

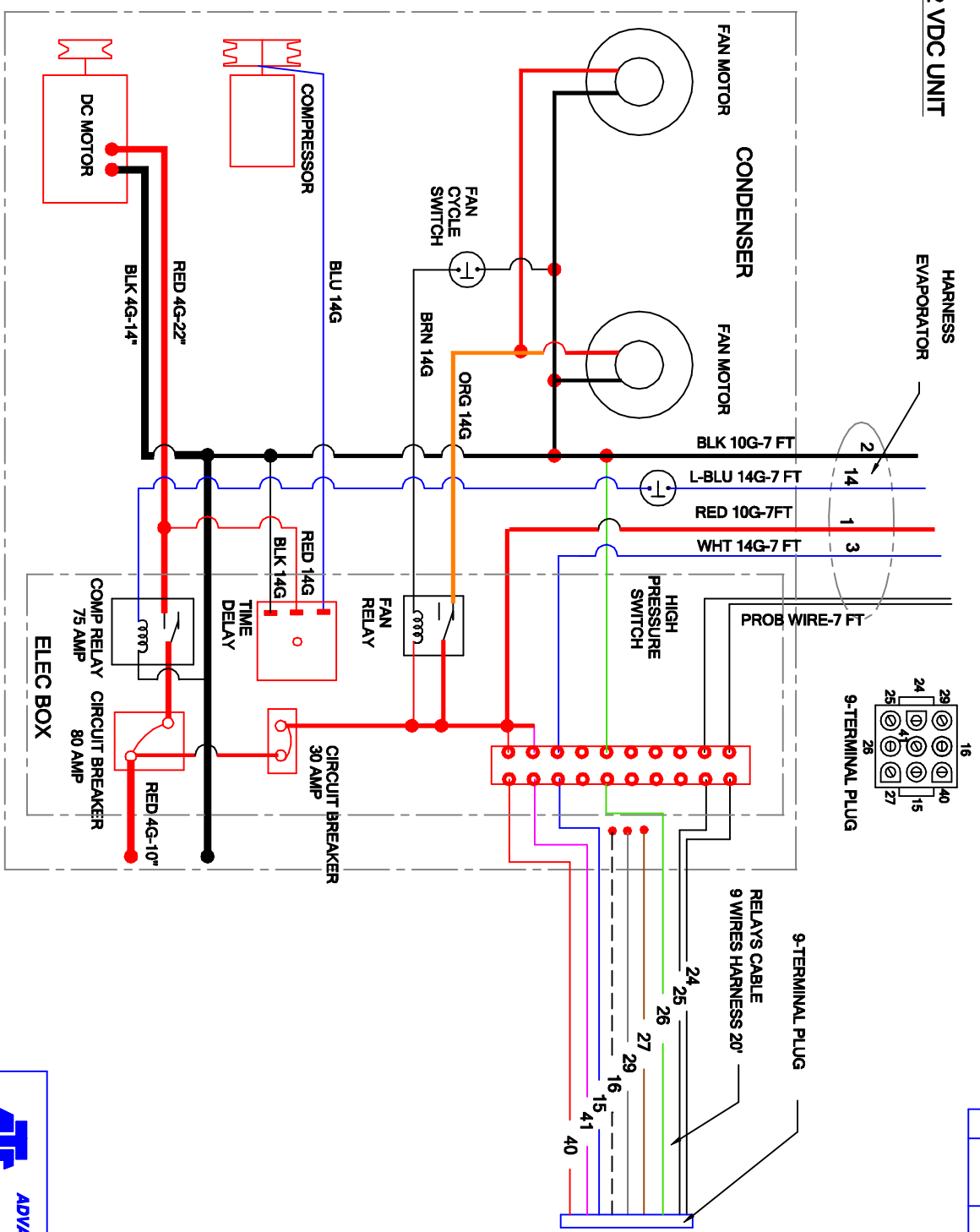


**ADVANCED TEMPERATURE CONTROL**

1416 GRAHAM'S LANE  
BURLINGTON, ONT.  
L7S 1W3  
TEL: (905) 637-3488  
FAX: (905) 637-3363

TITLE <b>WIRING DIAGRAM MED. TEMP. DC-UNIT</b>		ENG. REF. DATA14/9089/ELEC	
DWG NO <b>9100-M-2</b>	SCALE N.T.S.	DATE 06-12-06	REV. B

**12 VDC UNIT**



**INTERNAL COLOR CODE:**  
 BLK=BLACK, BLU=BLUE, L BLU=LIGHT BLUE, BRN=BROWN,  
 ORG=ORANGE, RED=RED, PUR=PURPLE, WHT=WHITE

**WIRE COLOURS:**

- 1 RED 10g
- 2 BLACK 10g
- 3 WHITE 14g
- 4 LIGHT BLUE 14g
- 7 PURPLE 14g
- 8 TAN 14g
- 10 ORANGE 14g
- 14 LIGHT BLUE 14g
- 15 LIGHT BLUE 18g
- 16 ORANGE 18g
- 24 BLACK 18g
- 25 WHITE 18 g
- 26 GREEN 18 g
- 27 BROWN 18 g
- 29 YELLOW 18g
- 40 RED 18g
- 41 PURPLE 18g

REV.	DATE	DESCRIPTION	BY:



**ADVANCED TEMPERATURE CONTROL**

1416 GRAHAM'S LANE  
 BURBINGTON, ONT.  
 L7S 1W5  
 TEL: (905) 637-3468  
 FAX: (905) 637-3363

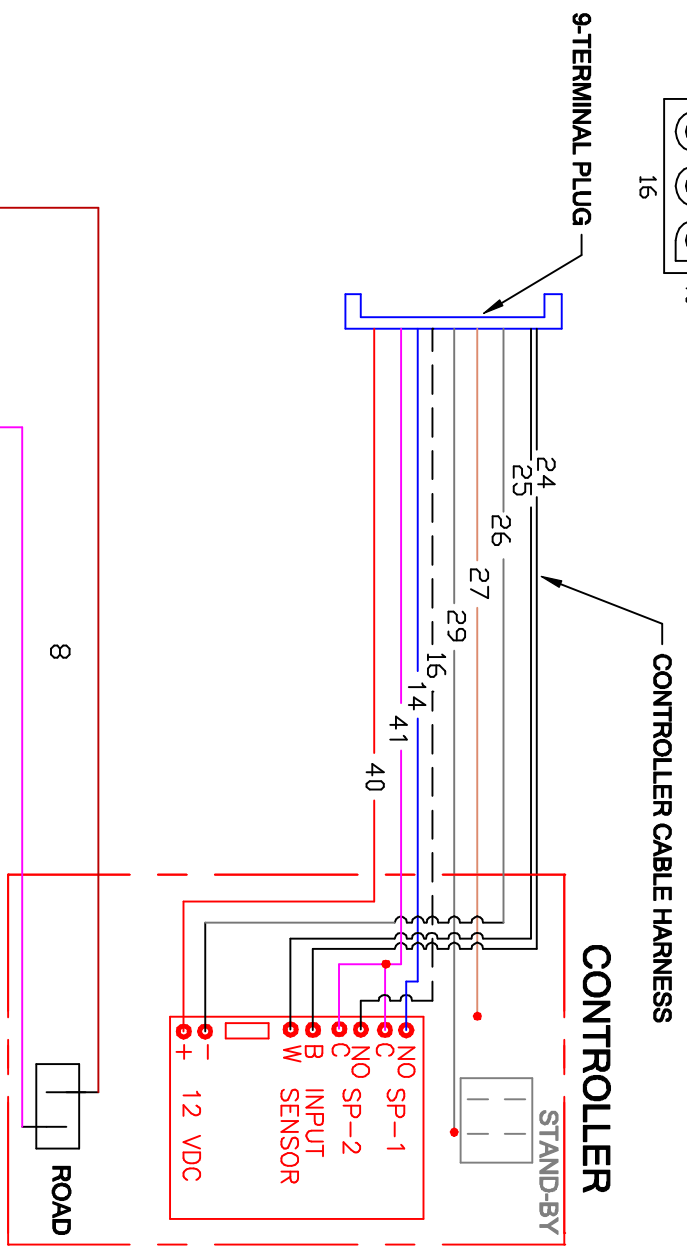
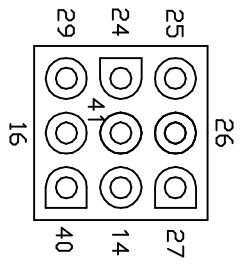
TITLE: **WIRING DIAGRAM**  
 MED. TEMP. DC-UNIT

ENG. REF: DATA14/9089/ELEC  
 DRAWN: SAM DATE: 22-05-07  
 SCALE: REV.

DWG NO: **9100-M-3**

THIS DRAWING IS THE PROPERTY OF ATC. THE INFORMATION CONTAINED HEREIN MAY NOT BE USED OR DISTRIBUTED BY OTHER PARTIES WITHOUT THE EXPRESS WRITTEN CONSENT OF ATC.

REV.	DATE	DESCRIPTION	BY:



**WIRE COLOURS:**

- 7 PURPLE 14g
- 8 TAN 14g
- 16 ORANGE 18g
- 24 BLACK 18g
- 25 WHITE 18 g
- 26 GREEN 18 g
- 27 BROWN 18 g
- 29 YELLOW 18g
- 40 RED 18g
- 41 PURPLE 18g



**ADVANCED TEMPERATURE CONTROL**

1416 GRAHAM'S LANE  
 BURLINGTON, ONT.  
 L7S 1W3  
 TEL: (905) 637-3468  
 FAX: (905) 637-3363

**TITLE** WIRING DIAGRAM  
**MED. TEMP. DC-UNIT**  
**CONTROLLER**

**DWG NO** 9100-M-4  
**PART NO** M920238

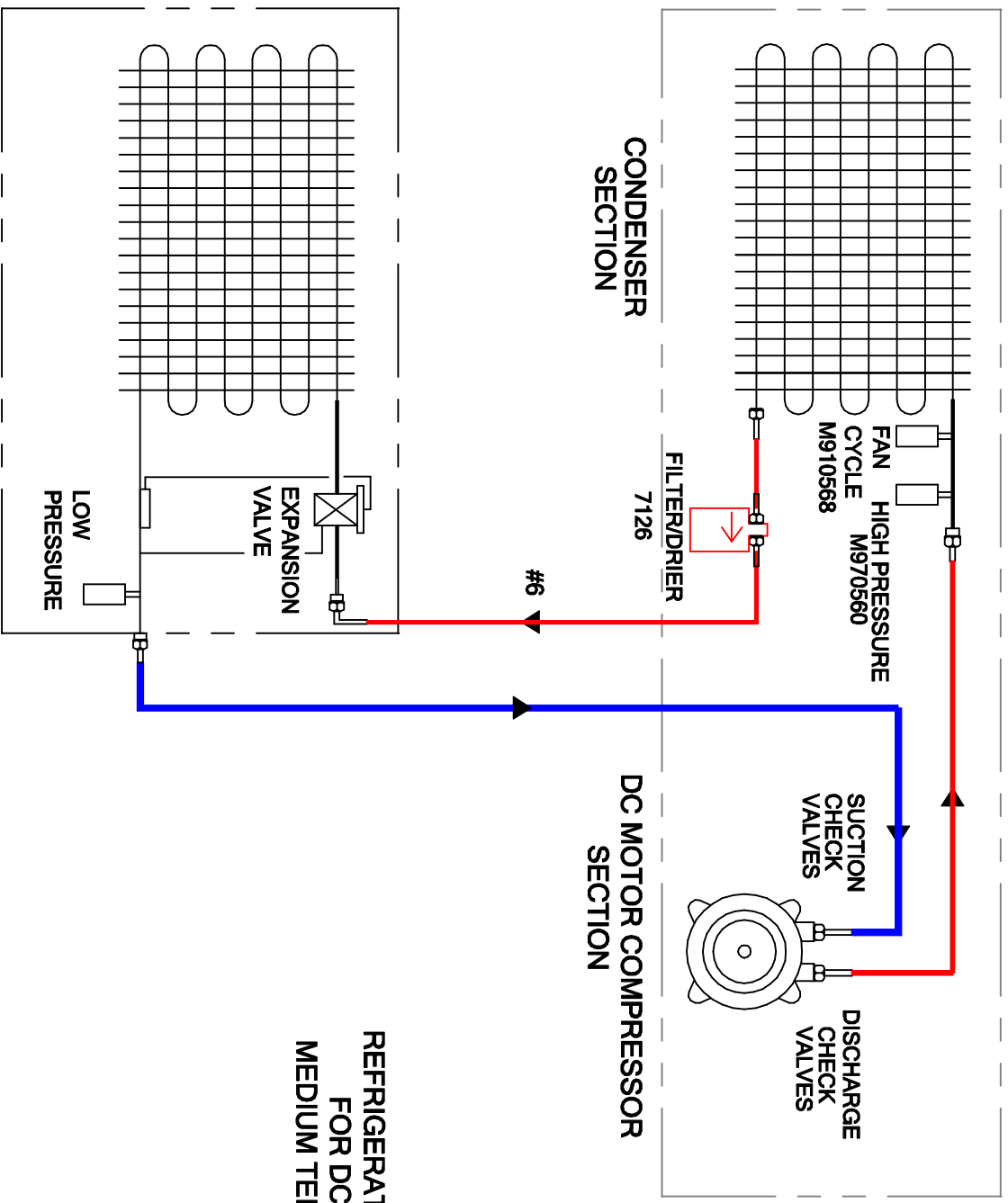
**ENG. REF** DATA149012

**DRAWN** SAM  
**DATE** 11-06-07

**CHECK** N.T.S.  
**DATE** \_



# ADVANCED TEMPERATURE CONTROL



REFRIGERATION CIRCUIT  
FOR DC UNIT F8  
MEDIUM TEMPERATURE