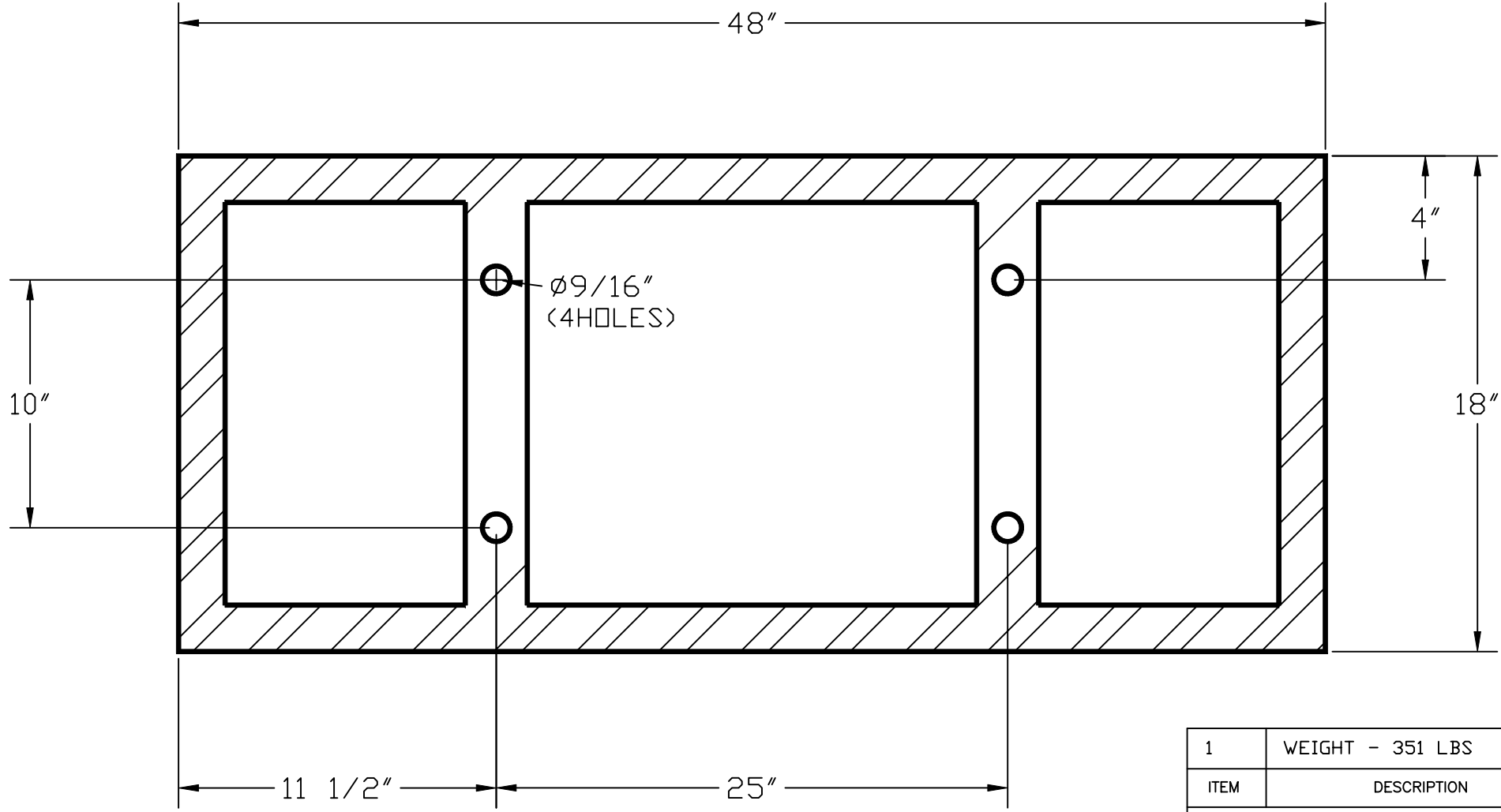


REV.	DATE	DESCRIPTION	BY	APPR
A	JUNE 21 2005	WAS DWG M960072 WEIGHT WAS 265 LBS	JWM	



1	WEIGHT - 351 LBS	1
ITEM	DESCRIPTION	QTY

THIS DRAWING IS THE PROPERTY OF ATC, THE INFORMATION CONTAINED HEREIN MAY NOT BE USED OR DISTRIBUTED BY OTHER PARTIES WITHOUT THE EXPRESS WRITTEN CONSENT OF ATC.

ATC **ADVANCED TEMPERATURE CONTROL**
 1416 GRAHAM'S LANE
 BURLINGTON, ONT.
 L7S 1W3
 TEL: (905) 637-3468 FAX: (905) 637-3363

TITLE	SERIES 20	ENG. REF	COMMON/OLD/MANUELS/REINF-SP
	REMOTE ELECTRIC STANDBY MOUNTING POINTS	DRAWN	DATE
DWG NO	M960072-2	ASHRAF E.	8-7-97
		CHECK	DATE
	DIMS ARE IN INCHES	SCALE	REV.
		NTS	A

PART NO.
M960072-2
 DATE 8-7-97

ALL DIMENSIONS ARE IN INCHES UNLESS OTHERWISE SPECIFIED