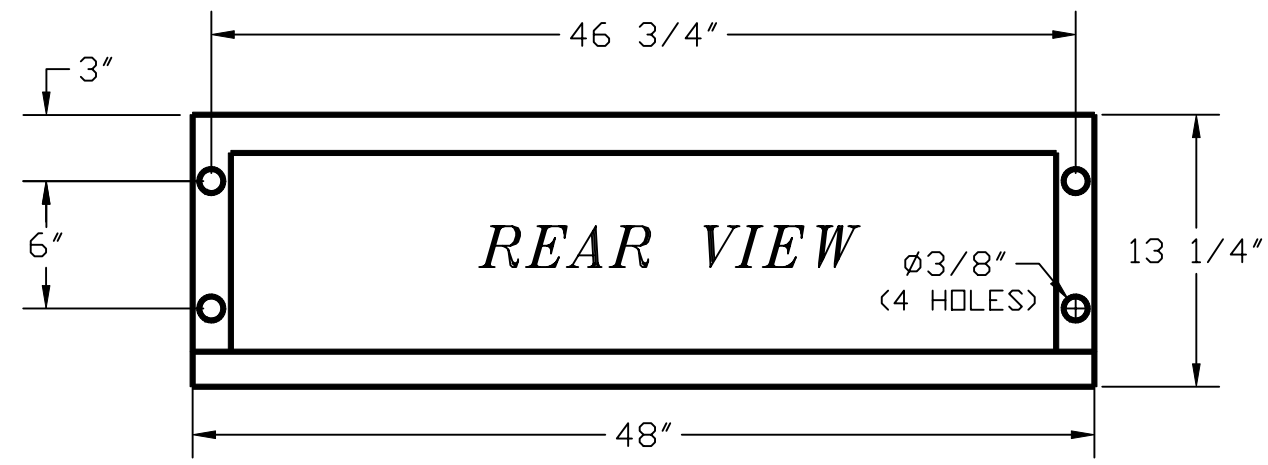
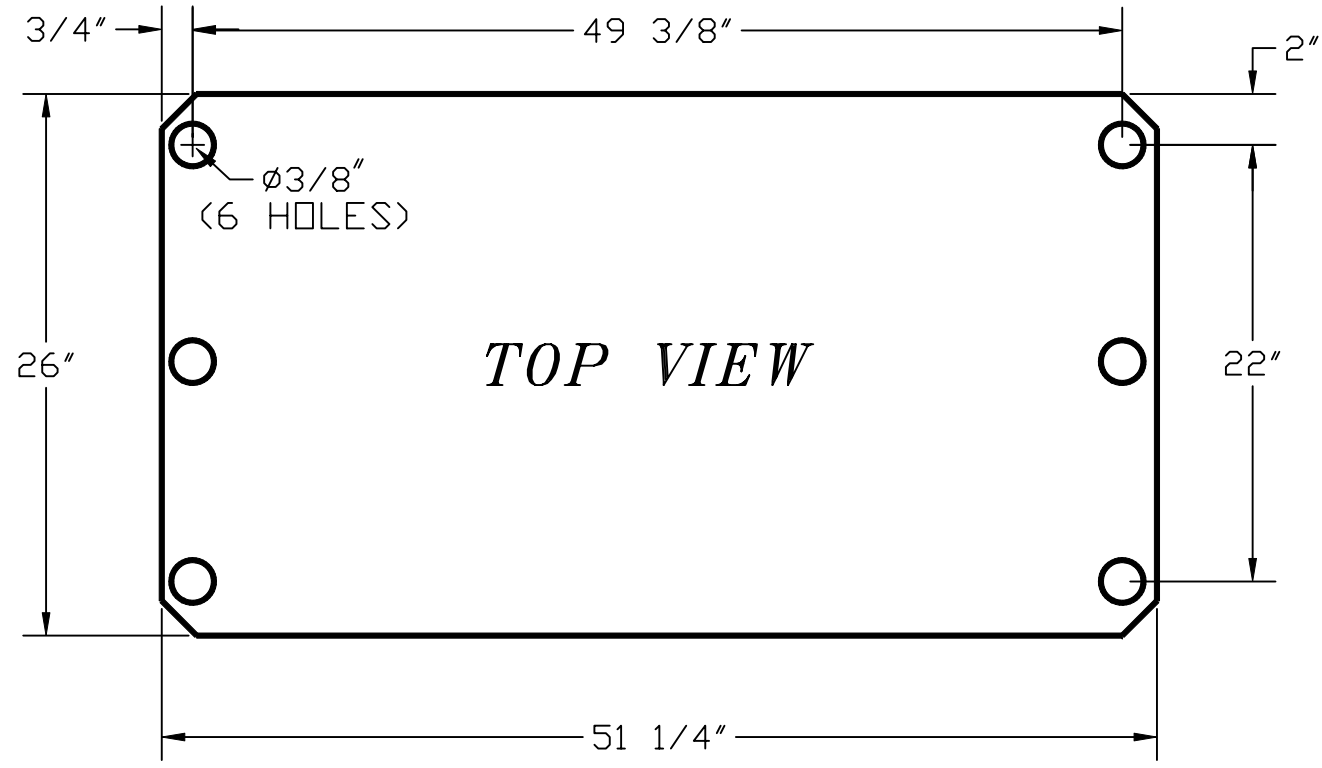


REV.	DATE	DESCRIPTION	BY	APPR
A	JUNE 21 2005	WAS DWG M960070 WEIGHT WAS 94 LBS	JWM	



1	WEIGHT - 115 LBS	1
ITEM	DESCRIPTION	QTY

THIS DRAWING IS THE PROPERTY OF ATC, THE INFORMATION CONTAINED HEREIN MAY NOT BE USED OR DISTRIBUTED BY OTHER PARTIES WITHOUT THE EXPRESS WRITTEN CONSENT OF ATC.

**ATC** **ADVANCED TEMPERATURE CONTROL**  
 1416 GRAHAM'S LANE  
 BURLINGTON, ONT.  
 L7S 1W3  
 TEL: (905) 637-3468 FAX: (905) 637-3363

TITLE	SERIES 20	ENG. REF	COMMON/OLD/MANUELS/REINF-SP
EVAPORATOR MOUNTING POINTS	DRAWN	DATE	
DWG NO	ASHRAF E.	8-7-97	
	CHECK	DATE	
DIMS ARE IN INCHES	SCALE	NTS	REV. A

**PART NO.**  
**M960070-1**  
 DATE 8-7-97

ALL DIMENSIONS ARE IN INCHES UNLESS OTHERWISE SPECIFIED