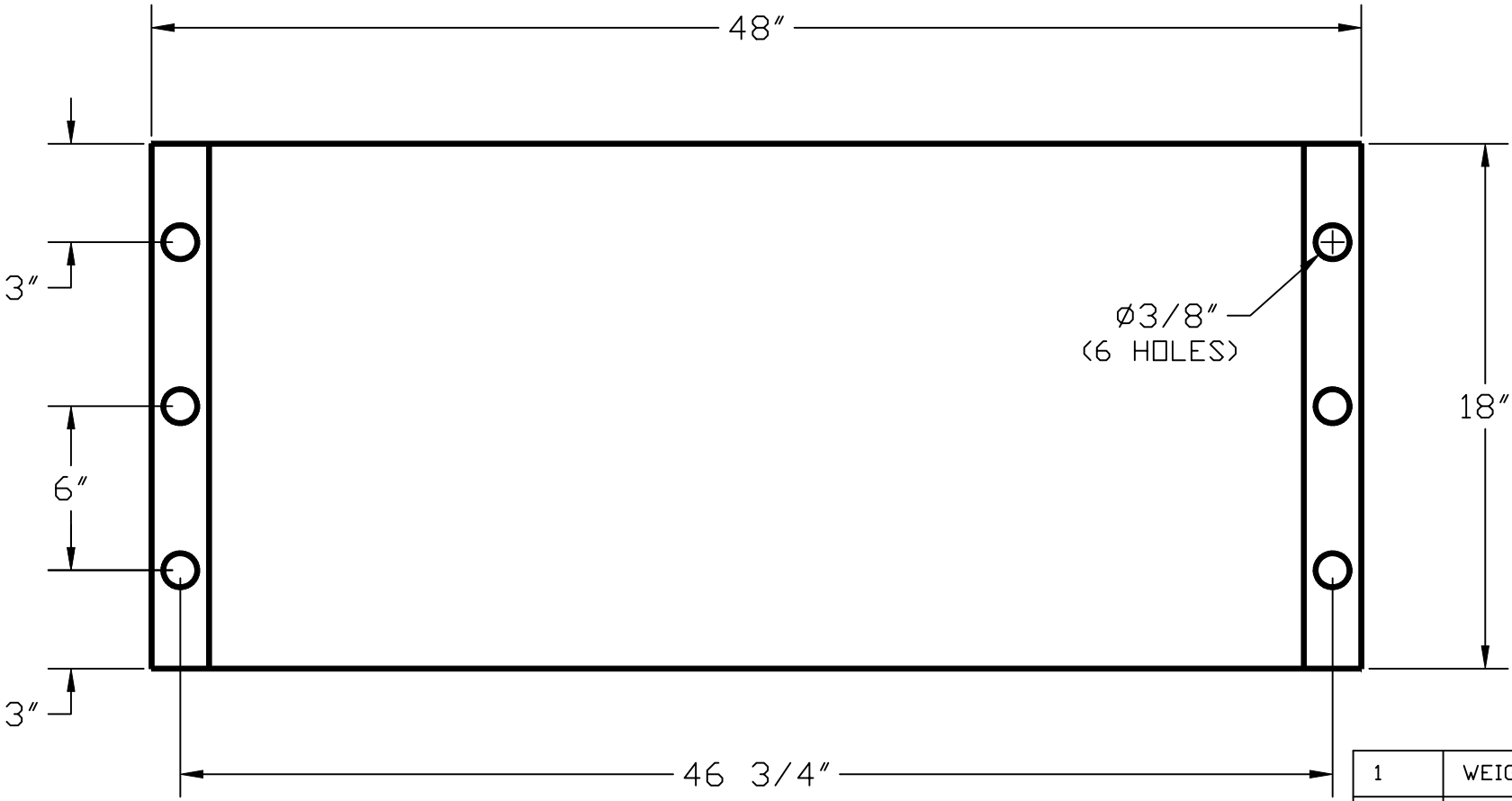


REV.	DATE	DESCRIPTION	BY	APPR
A	JUNE 21 2005	WAS DWG M960063 WEIGHT WAS 90 LBS	JWM	



1	WEIGHT - 95 LBS	1
ITEM	DESCRIPTION	QTY

THIS DRAWING IS THE PROPERTY OF ATC, THE INFORMATION CONTAINED HEREIN MAY NOT BE USED OR DISTRIBUTED BY OTHER PARTIES WITHOUT THE EXPRESS WRITTEN CONSENT OF ATC.

**ATC** **ADVANCED TEMPERATURE CONTROL**  
 1416 GRAHAM'S LANE  
 BURLINGTON, ONT.  
 L7S 1W3  
 TEL: (905) 637-3468 FAX: (905) 637-3363

**PART NO.**  
**M960063-2**  
 DATE 7-7-97

TITLE	SERIES 20 AERODYNAMIC CONDENSER MOUNTING POINTS	ENG. REF	COMMON/OLD/MANUELS/REINF-SP
DRAWN	ASHRAF E.	DATE	7-7-97
DWG NO	M960063-2	CHECK	DATE
DIMS ARE IN INCHES		SCALE	NTS
		REV.	A

ALL DIMENSIONS ARE IN INCHES UNLESS OTHERWISE SPECIFIED