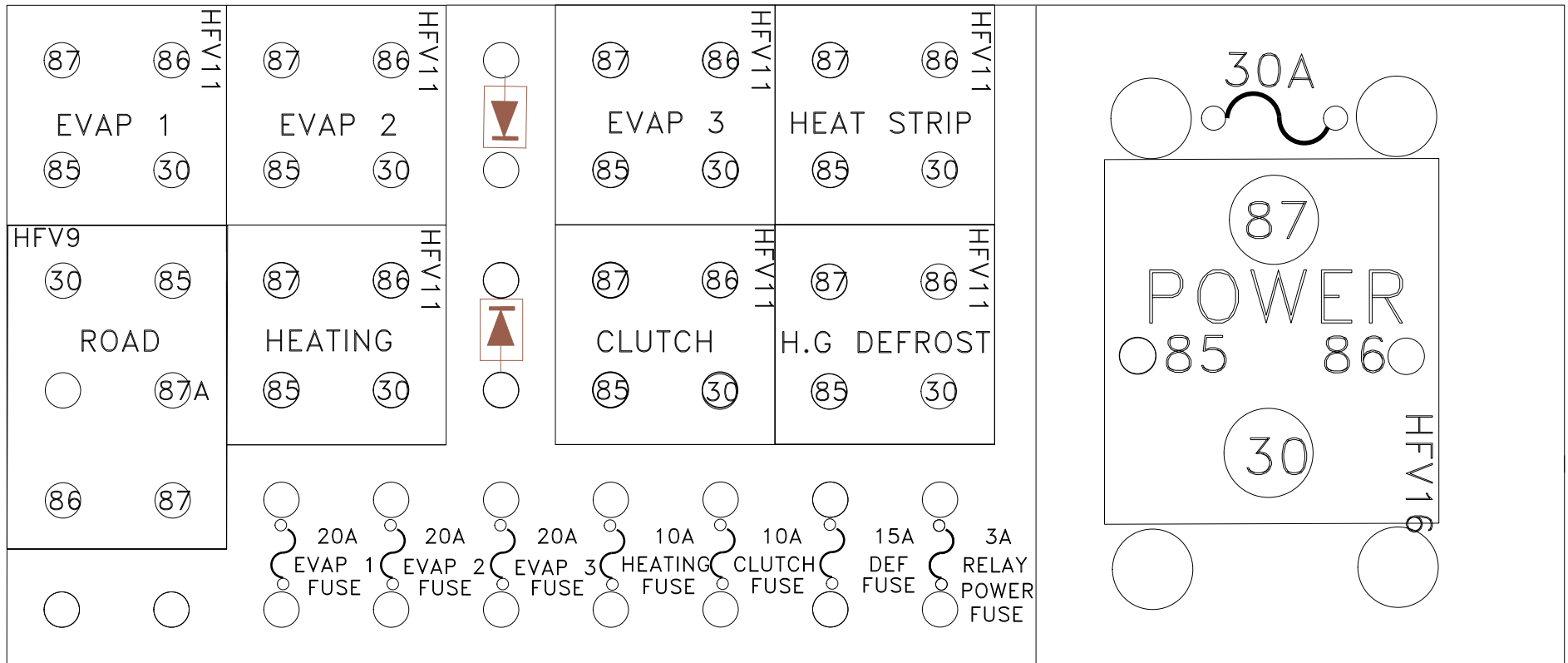


RELAY BOARD P#: M920310  
 LITERATURE P#: M960240

REV.	DATE	DESCRIPTION	BY:

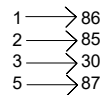
# RELAY & FUSE LAYOUT




**NOTES:**

- Front Relay Board View
- # of relays will vary based on type of unit (R-134a Med, R-134a Low or R404A Low)
- Use the legend provided below to convert the relay numbering system

NUMBERING CONVERSION HFV11 RELAY:



ITEM	DESCRIPTION	QTY
<b>ADVANCED TEMPERATURE CONTROL</b>  1416 GRAHAM'S LANE BURLINGTON, ONT. L7S 1W3 TEL: (905) 637-3468 FAX: (905) 637-3363		
<b>TITLE</b> RELAY & FUSE LAYOUT FOR M920310 RELAY BOARD		<b>ENG. REF M:/DataCommon/</b> Eng-Ref/9163/Wiring Diagram
<b>DRAWN</b> P.B	<b>DATE</b> 19-06-20	<b>REV</b> NTS
<b>DWG NO</b> 9163-CONFIGURATIONS	<b>SCALE</b> NTS	<b>REV</b> NTS