



**ADVANCED TEMPERATURE CONTROL**

**TRUCK REFRIGERATION SYSTEMS**

**REINFORCEMENT SPECIFICATIONS**

**M960051**

**1416 GRAHAM'S LANE  
BURLINGTON, ONTARIO, CANADA. L7S 1W3  
TEL: (905) 637-3468 FAX: (905) 637-3363  
WWW.ATC.CA**

# **ADVANCED TEMPERATURE CONTROL**

## **A T C 10 SERIES – SPLIT SYSTEM**

**(2007)**

**THREE MAJOR COMPONENT PARTS, CONDENSER SECTION,  
EVAPORATOR SECTION AND TRUCK ENGINE DRIVEN COMPRESSOR  
MOUNTING SECTION**

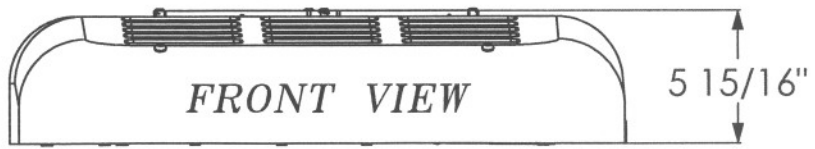
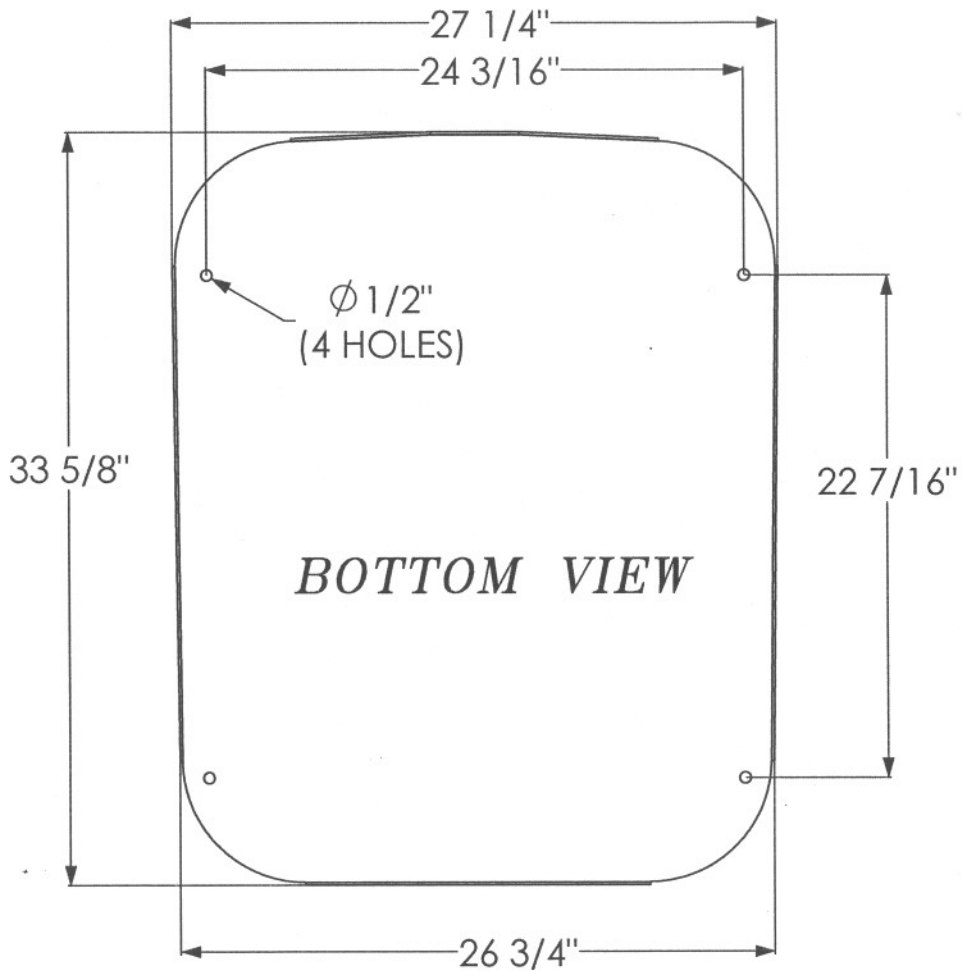
**CEILING SUPPORT REQUIRED FOR THE CONDENSER AND  
EVAPORATOR SECTION.**

**CONDENSER                    -27 3/4" WIDE X 34" DEEP X 5 1/2" HIGH  
   -WEIGHT 40 LBS**

**EVAPORATOR                 -26 3/8" WIDE X 22 3/4" DEEP X 5 3/4" HIGH  
   -WEIGHT 37 LBS**

**NOTE:     THE A T C 10 SERIES EVAPORATOR IS DESIGNED TO BE  
CEILING MOUNTED ONLY.**

ISSUED BY	DATE OF ISSUE	REV	DATE	DESCRIPTION	BY	APPR



**ALL DIMENSIONS ARE IN INCHES UNLESS OTHERWISE SPECIFIED**

1	WEIGHT - 40 LBS	QTY
ITEM	DESCRIPTION	QTY
THIS DRAWING IS THE PROPERTY OF ATC, THE INFORMATION CONTAINED HEREIN MAY NOT BE USED OR DISTRIBUTED BY OTHER PARTIES WITHOUT THE EXPRESS WRITTEN CONSENT OF ATC.		
<b>ADVANCED TEMPERATURE CONTROL</b> 1416 GRAHAM'S LANE BURLINGTON, ONT. L7S 1W3 TEL: (905) 637-3468      FAX: (905) 637-3363		
TITLE	SERIES- 10 F10-1 CONDENSER MOUNTING POINTS	ENG. REF DATCOM/ENG-REF/9084
DWG NO	9084-MOUNTING POINTS	DRAWN TAMER DATE SEPT 11-07
DATE	*	CHECK * DATE * SCALE * REV. *
DIMS ARE IN INCHES		

PART NO.
*
DATE









# **ADVANCED TEMPERATURE CONTROL**

## **A T C 14 SERIES – SPLIT SYSTEM**

**THREE MAJOR COMPONENT PARTS, AERODYNAMIC CONDENSER SECTION, EVAPORATOR SECTION AND TRUCK DRIVEN COMPRESSOR MOUNTING SECTION.**

**NOTE: OVER THE ROAD ONLY MODELS 14 MA & LA REQUIRE FRONT WALL UPRIGHT SUPPORTS – 36” CENTRE, AND A CEILING SUPPORT 24” FROM THE FRONT INTERIOR FINISHED WALL. COMBINED WEIGHT OF CONDENSER AND EVAPORATOR –136 LBS.**

**NOTE: ELECTRIC STANDBY MODELS 14 MEA & LEA REQUIRE FRONT WALL UPRIGHT SUPPORTS – 18” CENTRE, AND A CEILING SUPPORT 24” FROM THE FRONT INTERIOR FINISHED WALL. COMBINED WEIGHT OF ELECTRIC STANDBY CONDENSER AND EVAPORATOR –295 LBS.**

**OTR CONDENSER                      - 36 ¾” WIDE X 15” DEEP X 16” HIGH  
- WEIGHT 68 LBS**

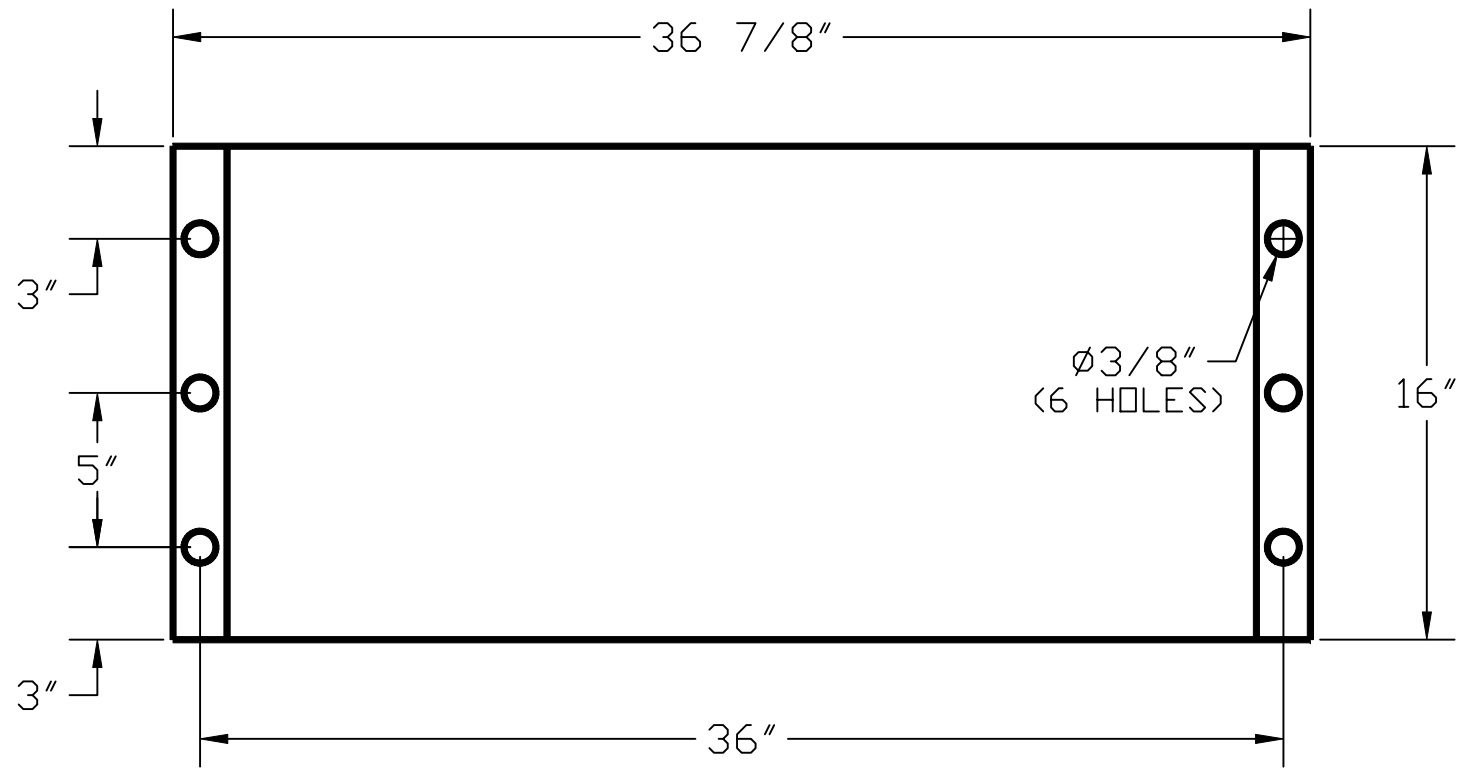
**OTR EVAPORATOR                    - 33 7/8” WIDE X 26” DEEP X 11 ½” HIGH  
- WEIGHT 68 LBS**

**ELECTRIC STANDBY                - 36 ¾” WIDE X 10 5/8” DEEP X 16” HIGH  
- WEIGHT 226 LBS**

**NOTE: THE A T C 14 SERIES EVAPORATOR IS DESIGNED TO BE CEILING OR WALL MOUNTED. IF THE EVAPORATOR IS WALL MOUNTED THE FRONT CORNERS OF THE EVAPORATOR MUST BE SUPPORTED FROM THE CEILING. THIS WILL ELIMINATE THE POSSIBILITY OF EVAPORATOR VIBRATION.**



REV.	DATE	DESCRIPTION	BY	APPR
A	JUNE 21 2005	UPDATED DWG WEIGHT WAS 64 LBS	JWM	



1	WEIGHT - 68 LBS	1
ITEM	DESCRIPTION	QTY

THIS DRAWING IS THE PROPERTY OF ATC, THE INFORMATION CONTAINED HEREIN MAY NOT BE USED OR DISTRIBUTED BY OTHER PARTIES WITHOUT THE EXPRESS WRITTEN CONSENT OF ATC.

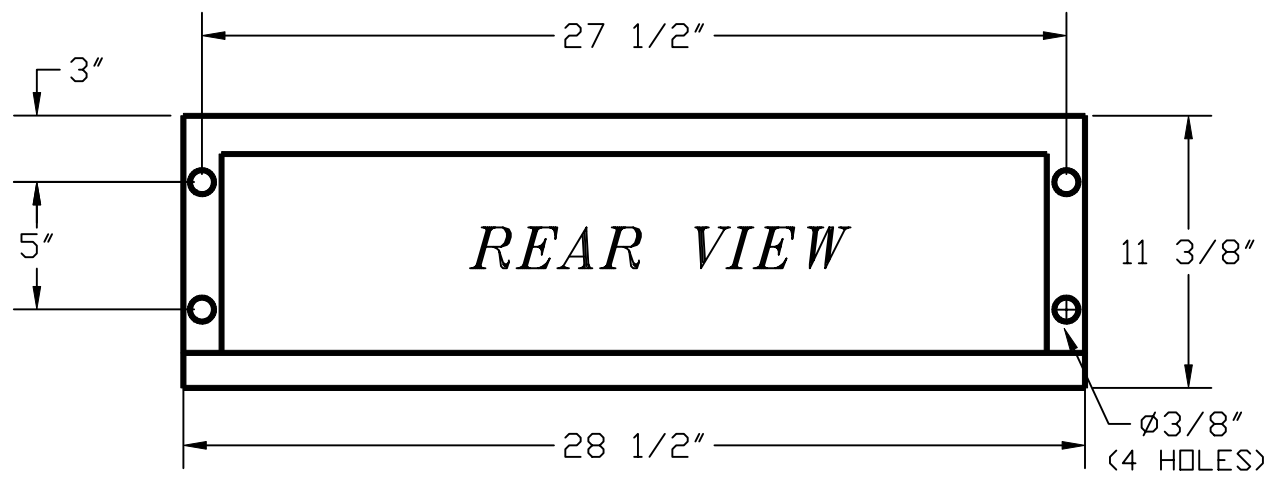
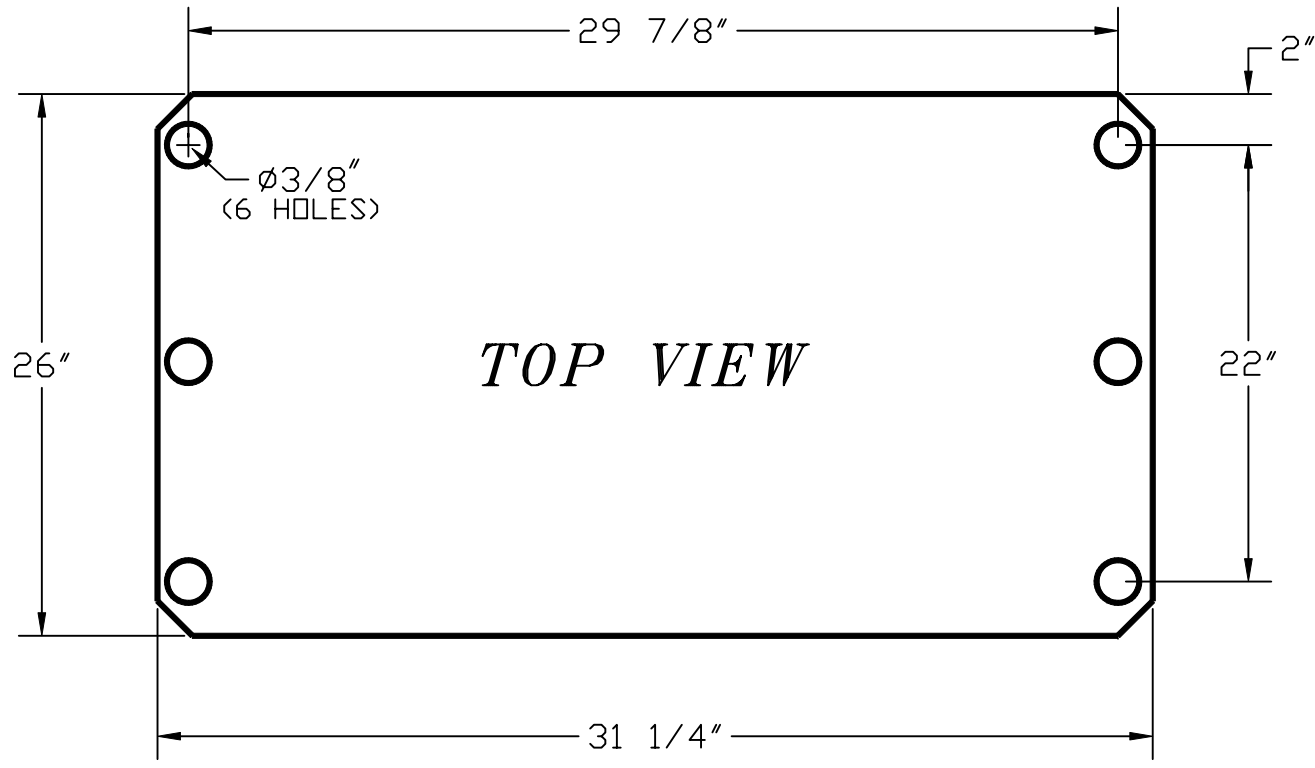
**ATC** **ADVANCED TEMPERATURE CONTROL**  
 1416 GRAHAM'S LANE  
 BURLINGTON, ONT.  
 L7S 1W3  
 TEL: (905) 637-3468 FAX: (905) 637-3363

TITLE	SERIES 14 AERODYNAMIC CONDENSER MOUNTING POINTS	ENG. REF	COMMON/OLD/MANUELS/REINF-SP
DRAWN	ASHRAF E.	DATE	7-7-97
DWG NO	M960062	CHECK	DATE
DIMS ARE IN INCHES		SCALE	NTS
		REV.	A

PART NO.  
**M960062**  
 DATE 7-7-97

ALL DIMENSIONS ARE IN INCHES UNLESS OTHERWISE SPECIFIED

REV.	DATE	DESCRIPTION	BY	APPR
A	JUNE 21 2005	UPDATED DWG WEIGHT WAS 61 LBS	JWM	



1	WEIGHT - 68 LBS	1
ITEM	DESCRIPTION	QTY

THIS DRAWING IS THE PROPERTY OF ATC, THE INFORMATION CONTAINED HEREIN MAY NOT BE USED OR DISTRIBUTED BY OTHER PARTIES WITHOUT THE EXPRESS WRITTEN CONSENT OF ATC.

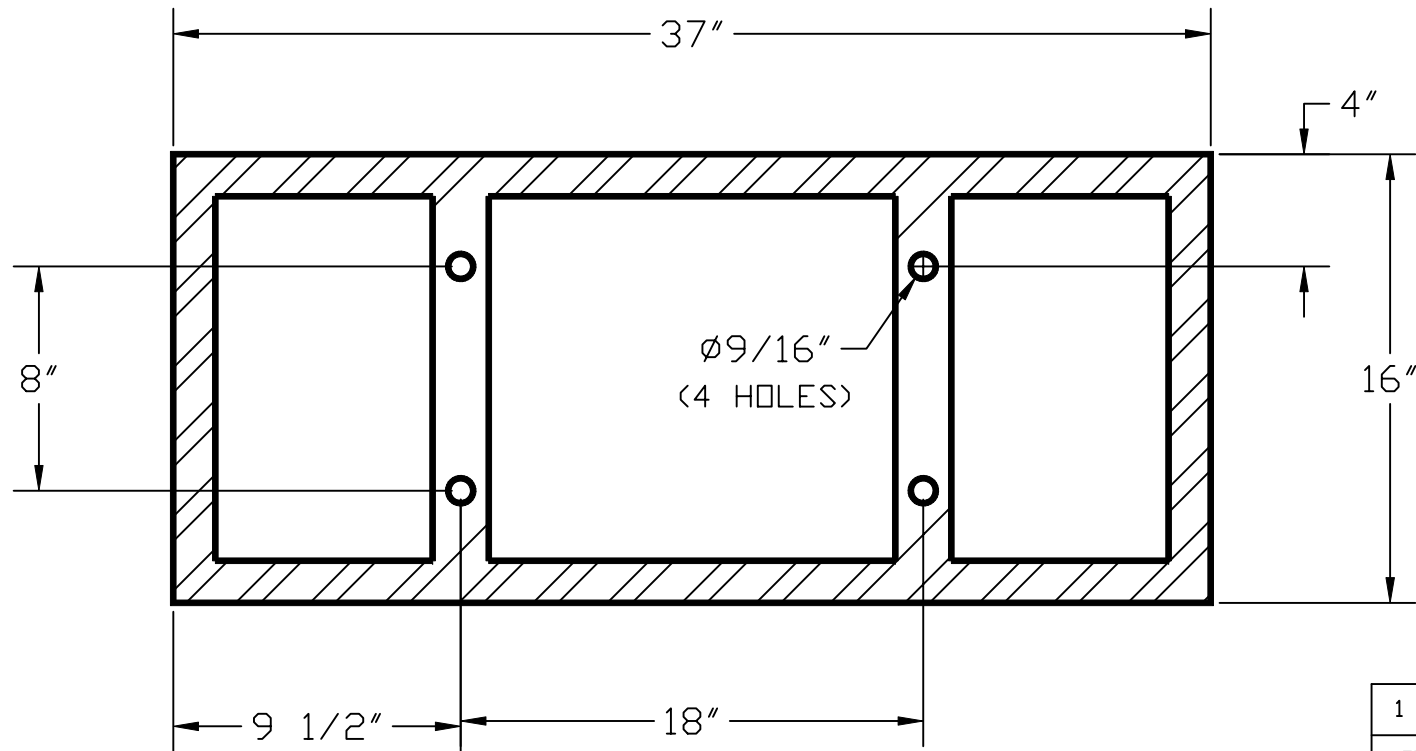
**ATC** **ADVANCED TEMPERATURE CONTROL**  
 1416 GRAHAM'S LANE  
 BURLINGTON, ONT.  
 L7S 1W3  
 TEL: (905) 637-3468 FAX: (905) 637-3363

TITLE	SERIES 14	ENG. REF	COMMON/OLD/MANUELS/REINF-SP
EVAPORATOR MOUNTING POINTS	DRAWN	DATE	
DWG NO	ASHRAF E.	7-7-97	
	CHECK	DATE	
DIMS ARE IN INCHES	SCALE	NTS	REV.
			A

**PART NO.**  
**M960068**  
 DATE 7-7-97

ALL DIMENSIONS ARE IN INCHES UNLESS OTHERWISE SPECIFIED

REV.	DATE	DESCRIPTION	BY	APPR
A	JUNE 21 2005	UPDATED DWG WEIGHT WAS 215 LBS	JWM	



1	WEIGHT - 226 LBS	1
ITEM	DESCRIPTION	QTY

THIS DRAWING IS THE PROPERTY OF ATC, THE INFORMATION CONTAINED HEREIN MAY NOT BE USED OR DISTRIBUTED BY OTHER PARTIES WITHOUT THE EXPRESS WRITTEN CONSENT OF ATC.



**ADVANCED TEMPERATURE CONTROL**

1416 GRAHAM'S LANE  
BURLINGTON, ONT.  
L7S 1W3

TEL: (905) 637-3468 FAX: (905) 637-3363

TITLE	<b>SERIES 14</b> REMOTE ELECTRIC STANDBY MOUNTING POINTS	ENG. REF	COMMON/OLD/MANUELS/REINF-SP
DRAWN	ASHRAF E.	DATE	7-7-97
DWG NO	<b>M960071</b>	CHECK	DATE
DIMS ARE IN INCHES		SCALE	NTS
		REV.	A

**PART NO.**  
**M960071**  
DATE | 7-7-97

ALL DIMENSIONS ARE IN INCHES UNLESS OTHERWISE SPECIFIED

# **ADVANCED TEMPERATURE CONTROL**

## **A T C 15 SERIES – SPLIT SYSTEM**

**THREE MAJOR COMPONENT PARTS, CONDENSER SECTION, EVAPORATOR SECTION AND TRUCK ENGINE DRIVEN COMPRESSOR MOUNTING SECTION.**

**CEILING SUPPORT REQUIRED FOR THE CONDENSER AND EVAPORATOR SECTION.**

**CONDENSER                    - 37 ¼” WIDE X 24” DEEP X 12 ¾” HIGH**  
**-    WEIGHT 81 LBS**

**EVAPORATOR                - 33 7/8” WIDE X 26” DEEP X 11 ½” HIGH**  
**-    WEIGHT 68 LBS**

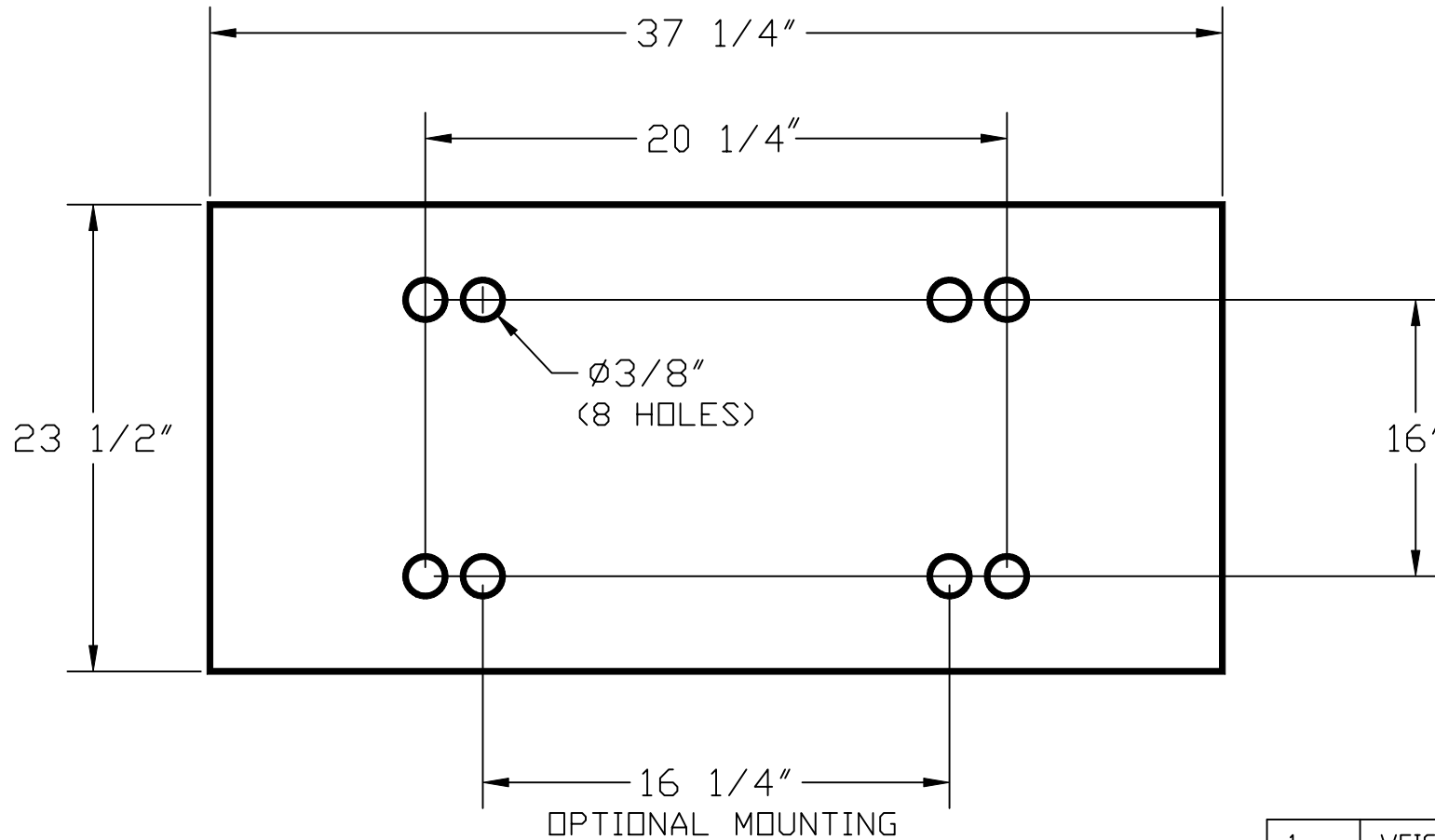
**NOTE:     A T C 15 ME & LE (WITH STANDBY), ELECTRIC STANDBY SECTION IS DESIGNED TO MOUNT INSIDE COMPACT VAN CAB BETWEEN THE SEATS.**

**IN-CAB ELECTRIC STANDBY   - 14 1/8” WIDE X 20” DEEP X 15” HIGH**  
**-    WEIGHT 180 LBS**

**NOTE:     THE A T C 15 SERIES EVAPORATOR IS DESIGNED TO BE CEILING OR WALL MOUNTED. IF THE EVAPORATOR IS WALL MOUNTED THE FRONT CORNERS OF THE EVAPORATOR MUST BE SUPPORTED FROM THE CEILING. THIS WILL ELIMINATE THE POSSIBILITY OF EVAPORATOR VIBRATION.**

REV.	DATE	DESCRIPTION	BY	APPR
A	JUNE 21 2005	WAS DWG M960073 WEIGHT WAS 77 LBS	JWM	

# TOP VIEW



1	WEIGHT - 81 LBS	1
ITEM	DESCRIPTION	QTY

THIS DRAWING IS THE PROPERTY OF ATC, THE INFORMATION CONTAINED HEREIN MAY NOT BE USED OR DISTRIBUTED BY OTHER PARTIES WITHOUT THE EXPRESS WRITTEN CONSENT OF ATC.



**ADVANCED TEMPERATURE CONTROL**

1416 GRAHAM'S LANE  
BURLINGTON, ONT.  
L7S 1W3

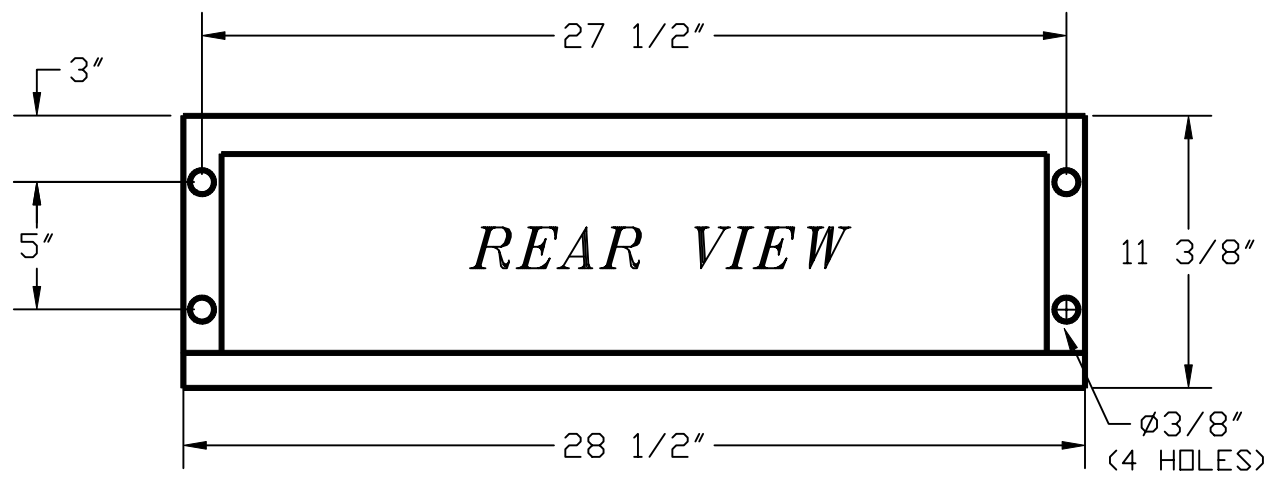
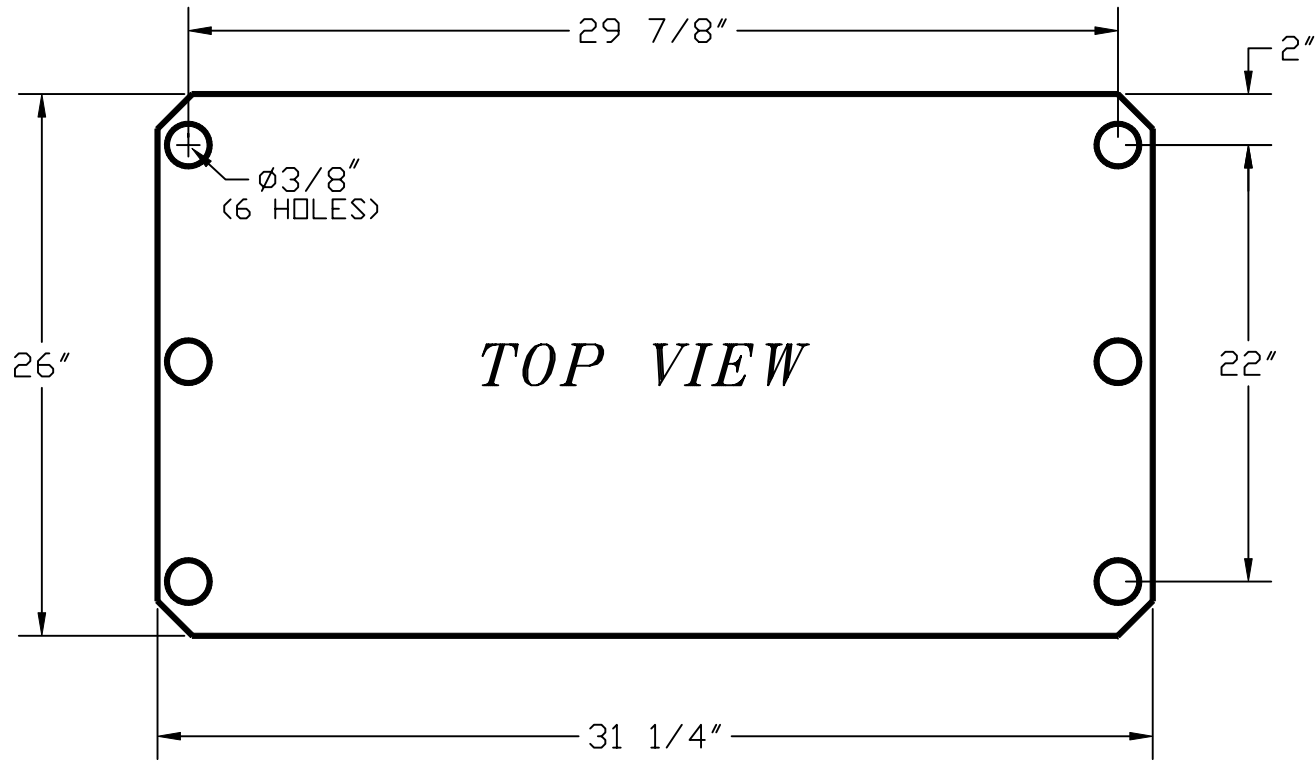
TEL: (905) 637-3468 FAX: (905) 637-3363

TITLE	SERIES 15	ENG. REF	COMMON/OLD/MANUELS/REINF-SP
CONDENSER MOUNTING POINTS	DRAWN	DATE	
DWG NO	ASHRAF E.	7-7-97	
	CHECK	DATE	
DIMS ARE IN INCHES	SCALE	NTS	REV. A

PART NO.	M960073-1
DATE	7-7-97

ALL DIMENSIONS ARE IN INCHES UNLESS OTHERWISE SPECIFIED

REV.	DATE	DESCRIPTION	BY	APPR
A	JUNE 21 2005	UPDATED DWG WEIGHT WAS 61 LBS	JWM	



1	WEIGHT - 68 LBS	1
ITEM	DESCRIPTION	QTY

THIS DRAWING IS THE PROPERTY OF ATC, THE INFORMATION CONTAINED HEREIN MAY NOT BE USED OR DISTRIBUTED BY OTHER PARTIES WITHOUT THE EXPRESS WRITTEN CONSENT OF ATC.

**ATC** **ADVANCED TEMPERATURE CONTROL**  
 1416 GRAHAM'S LANE  
 BURLINGTON, ONT.  
 L7S 1W3  
 TEL: (905) 637-3468 FAX: (905) 637-3363

TITLE	SERIES 15	ENG. REF	COMMON/OLD/MANUELS/REINF-SP
EVAPORATOR MOUNTING POINTS	DRAWN	DATE	
DWG NO	ASHRAF E.	7-7-97	
	CHECK	DATE	
DIMS ARE IN INCHES	SCALE	REV.	
	NTS	A	

**PART NO.**  
**M960068-1**  
 DATE 7-7-97

ALL DIMENSIONS ARE IN INCHES UNLESS OTHERWISE SPECIFIED

# ADVANCED TEMPERATURE CONTROL

## A T C 16 SERIES – SPLIT SYSTEM

**THREE MAJOR COMPONENT PARTS, AERODYNAMIC CONDENSER SECTION, EVAPORATOR SECTION AND TRUCK ENGINE DRIVEN COMPRESSOR MOUNTING SECTION.**

**NOTE: OVER THE ROAD ONLY MODELS 16 MA & LA REQUIRE FRONT WALL UPRIGHT SUPPORTS – 46 ¾” CENTRE, AND A CEILING SUPPORT 24” FROM THE FRONT INTERIOR FINISHED WALL. COMBINED WEIGHT OF CONDENSER AND EVAPORATOR –178 LBS.**

**NOTE: ELECTRIC STANDBY MODELS 16 MEA & LEA REQUIRE FRONT WALL UPRIGHT SUPPORTS – 25” CENTRE, AND A CEILING SUPPORT 24” FROM THE FRONT INTERIOR FINISHED WALL. COMBINED WEIGHT OF ELECTRIC STANDBY CONDENSER AND EVAPORATOR –360 LBS.**

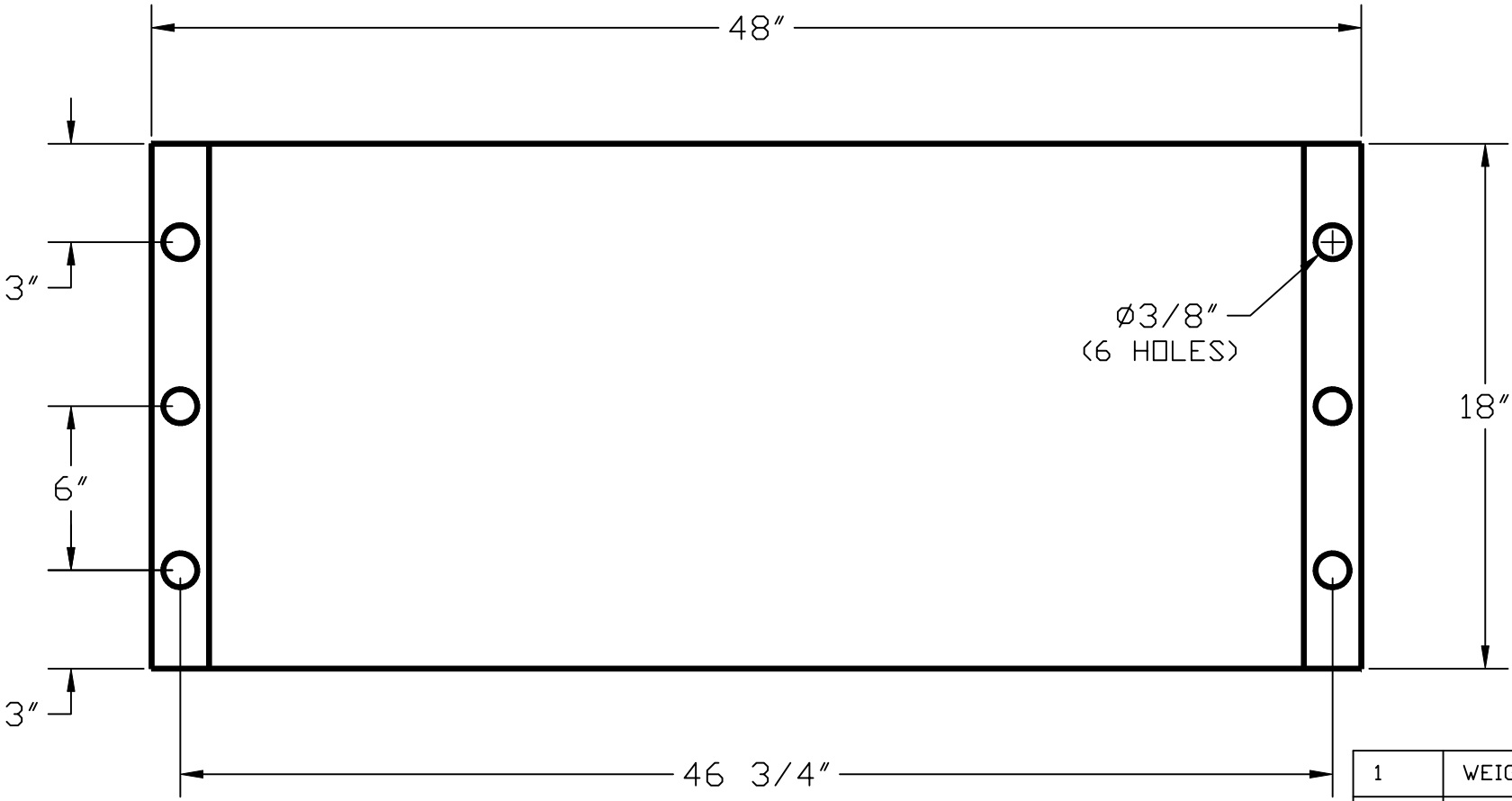
**OTR CONDENSER A18      - 48” WIDE X 15” DEEP X 18” HIGH  
- WEIGHT 95 LBS**

**OTR EVAPORATOR      - 39 7/8” WIDE X 26” DEEP X 11 ½” HIGH  
- WEIGHT 83 LBS**

**ELECTRIC STANDBY      - 48” WIDE X 14 1/8” DEEP X 18” HIGH  
- WEIGHT 280 LBS**

**NOTE: THE A T C 16 SERIES EVAPORATOR IS DESIGNED TO BE CEILING OR WALL MOUNTED. IF THE EVAPORATOR IS WALL MOUNTED THE FRONT CORNERS OF THE EVAPORATOR MUST BE SUPPORTED FROM THE CEILING. THIS WILL ELIMINATE THE POSSIBILITY OF EVAPORATOR VIBRATION.**

REV.	DATE	DESCRIPTION	BY	APPR
A	JUNE 21 2005	UPDATED DWG WEIGHT WAS 90 LBS	JWM	



1	WEIGHT - 95 LBS	1
ITEM	DESCRIPTION	QTY

THIS DRAWING IS THE PROPERTY OF ATC, THE INFORMATION CONTAINED HEREIN MAY NOT BE USED OR DISTRIBUTED BY OTHER PARTIES WITHOUT THE EXPRESS WRITTEN CONSENT OF ATC.

**ATC** **ADVANCED TEMPERATURE CONTROL**  
 1416 GRAHAM'S LANE  
 BURLINGTON, ONT.  
 L7S 1W3  
 TEL: (905) 637-3468 FAX: (905) 637-3363

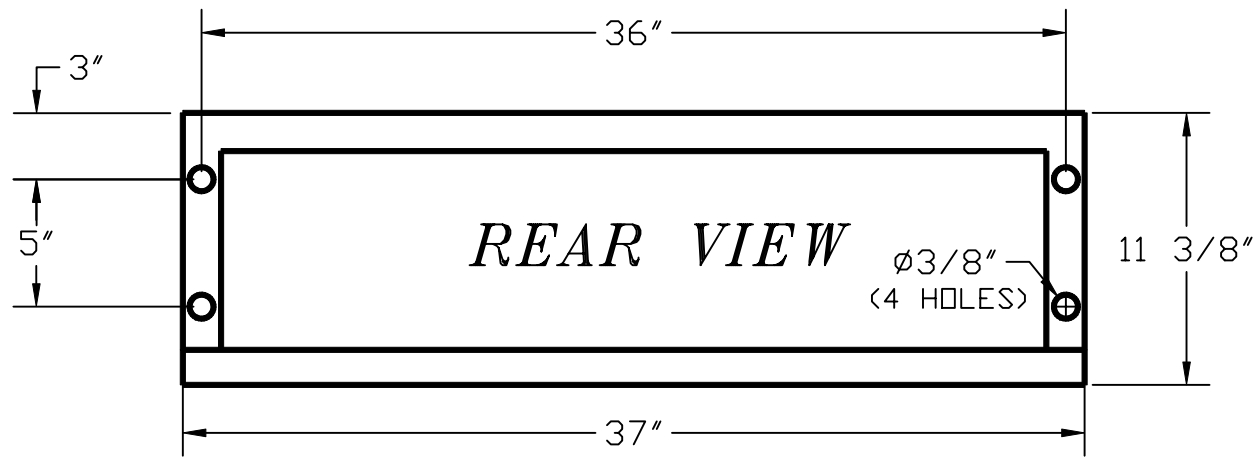
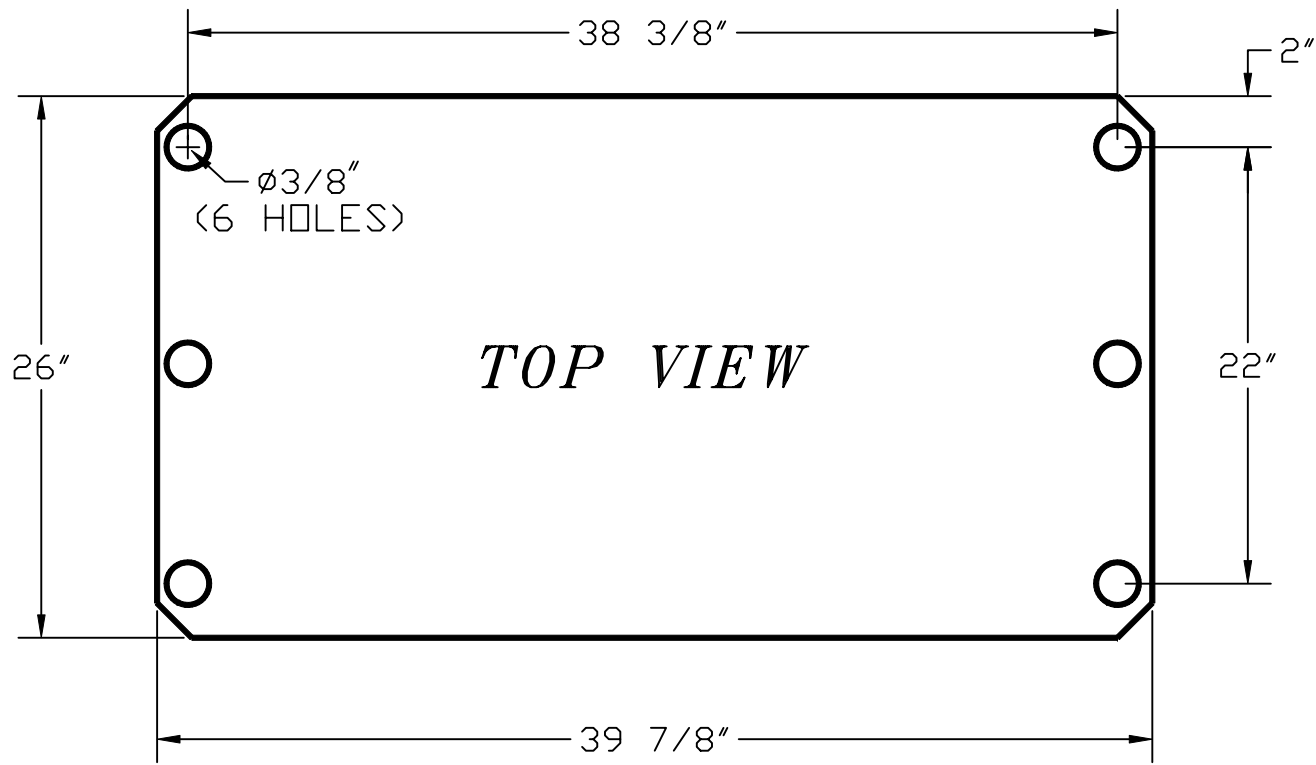
TITLE	SERIES 16 AERODYNAMIC CONDENSER MOUNTING POINTS	ENG. REF	COMMON/OLD/MANUELS/REINF-SP
DRAWN	ASHRAF E.	DATE	7-7-97
DWG NO	M960063	CHECK	DATE
DIMS ARE IN INCHES		SCALE	NTS
		REV.	A

PART NO.  
**M960063**  
 DATE 7-7-97

ALL DIMENSIONS ARE IN INCHES UNLESS OTHERWISE SPECIFIED



REV.	DATE	DESCRIPTION	BY	APPR
A	JUNE 21 2005	UPDATED DWG WEIGHT WAS 74 LBS	JWM	



1	WEIGHT - 83 LBS	1
ITEM	DESCRIPTION	QTY

THIS DRAWING IS THE PROPERTY OF ATC, THE INFORMATION CONTAINED HEREIN MAY NOT BE USED OR DISTRIBUTED BY OTHER PARTIES WITHOUT THE EXPRESS WRITTEN CONSENT OF ATC.

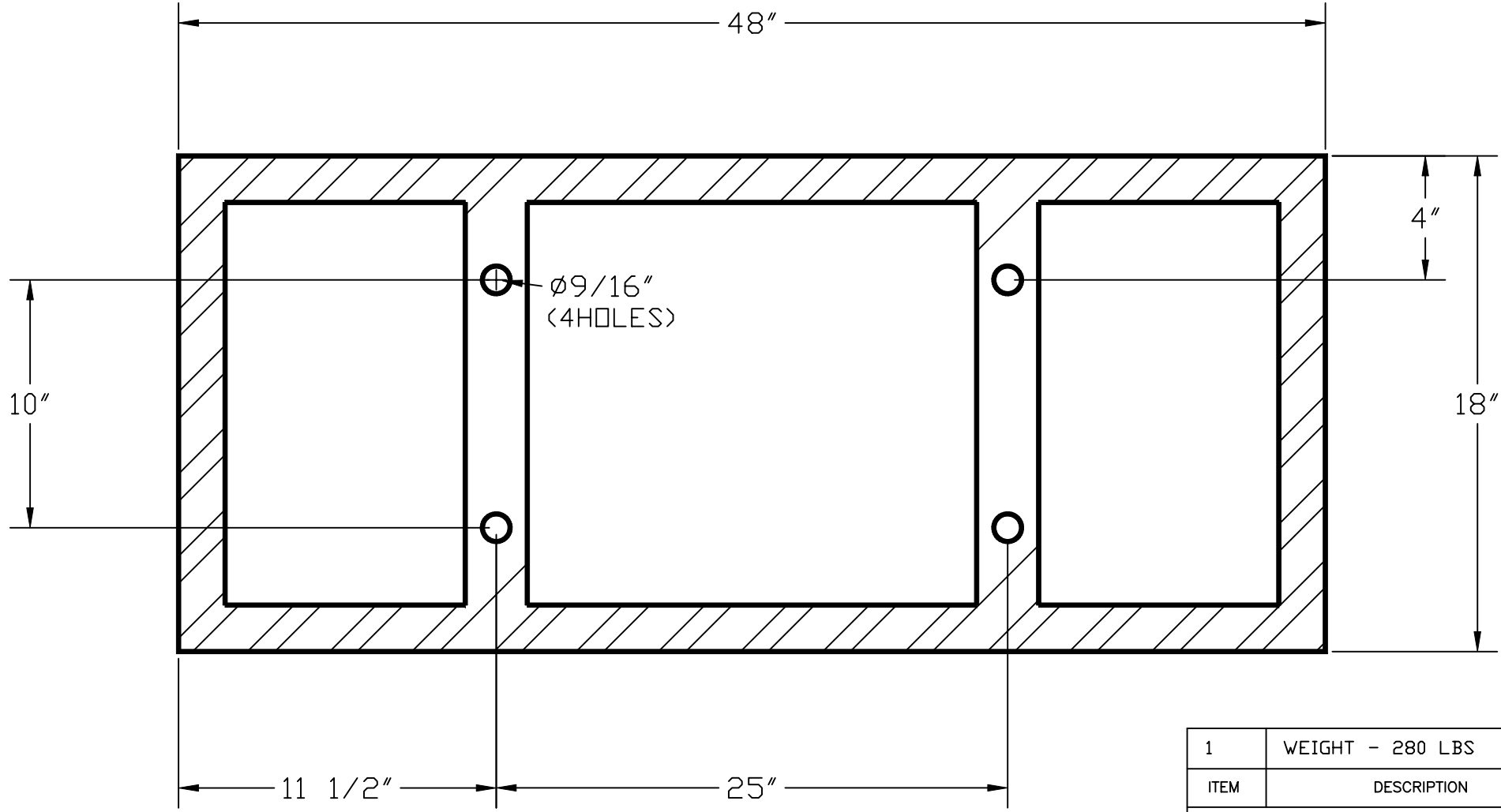
**ATC ADVANCED TEMPERATURE CONTROL**  
 1416 GRAHAM'S LANE  
 BURLINGTON, ONT.  
 L7S 1W3  
 TEL: (905) 637-3468 FAX: (905) 637-3363

TITLE	SERIES 16	ENG. REF	COMMON/OLD/MANUELS/REINF-SP
EVAPORATOR MOUNTING POINTS	DRAWN	DATE	
DWG NO	M960069	ASHRAF E.	7-7-97
	CHECK	DATE	
DIMS ARE IN INCHES	SCALE	REV.	
	NTS	A	

PART NO.  
**M960069**  
 DATE 7-7-97

ALL DIMENSIONS ARE IN INCHES UNLESS OTHERWISE SPECIFIED

REV.	DATE	DESCRIPTION	BY	APPR
A	JUNE 21 2005	UPDATED DWG WEIGHT WAS 265 LBS	JWM	



1	WEIGHT - 280 LBS	1
ITEM	DESCRIPTION	QTY

THIS DRAWING IS THE PROPERTY OF ATC, THE INFORMATION CONTAINED HEREIN MAY NOT BE USED OR DISTRIBUTED BY OTHER PARTIES WITHOUT THE EXPRESS WRITTEN CONSENT OF ATC.

**ATC** **ADVANCED TEMPERATURE CONTROL**  
 1416 GRAHAM'S LANE  
 BURLINGTON, ONT.  
 L7S 1W3  
 TEL: (905) 637-3468 FAX: (905) 637-3363

TITLE	<b>SERIES 16</b> REMOTE ELECTRIC STANDBY MOUNTING POINTS	ENG. REF	COMMON/OLD/MANUELS/REINF-SP
DRAWN	ASHRAF E.	DATE	8-7-97
DWG NO	<b>M960072</b>	CHECK	DATE
DIMS ARE IN INCHES		SCALE	NTS
		REV.	A

**PART NO.**  
**M960072**  
 DATE 8-7-97

ALL DIMENSIONS ARE IN INCHES UNLESS OTHERWISE SPECIFIED

# ADVANCED TEMPERATURE CONTROL

## A T C 18 SERIES – SPLIT SYSTEM

**THREE MAJOR COMPONENT PARTS, AERODYNAMIC CONDENSER SECTION, EVAPORATOR SECTION AND TRUCK ENGINE DRIVEN COMPRESSOR MOUNTING SECTION.**

**NOTE: OVER THE ROAD ONLY MODELS 18 MA & LA REQUIRE FRONT WALL UPRIGHT SUPPORTS – 46 ¾” CENTRE, AND A CEILING SUPPORT 24” FROM THE FRONT INTERIOR FINISHED WALL. COMBINED WEIGHT OF CONDENSER AND EVAPORATOR –197 LBS.**

**NOTE: ELECTRIC STANDBY MODELS 18 MEA & LEA REQUIRE FRONT WALL UPRIGHT SUPPORTS – 25” CENTRE, AND A CEILING SUPPORT 24” FROM THE FRONT INTERIOR FINISHED WALL. COMBINED WEIGHT OF ELECTRIC STANDBY CONDENSER AND EVAPORATOR –381 LBS.**

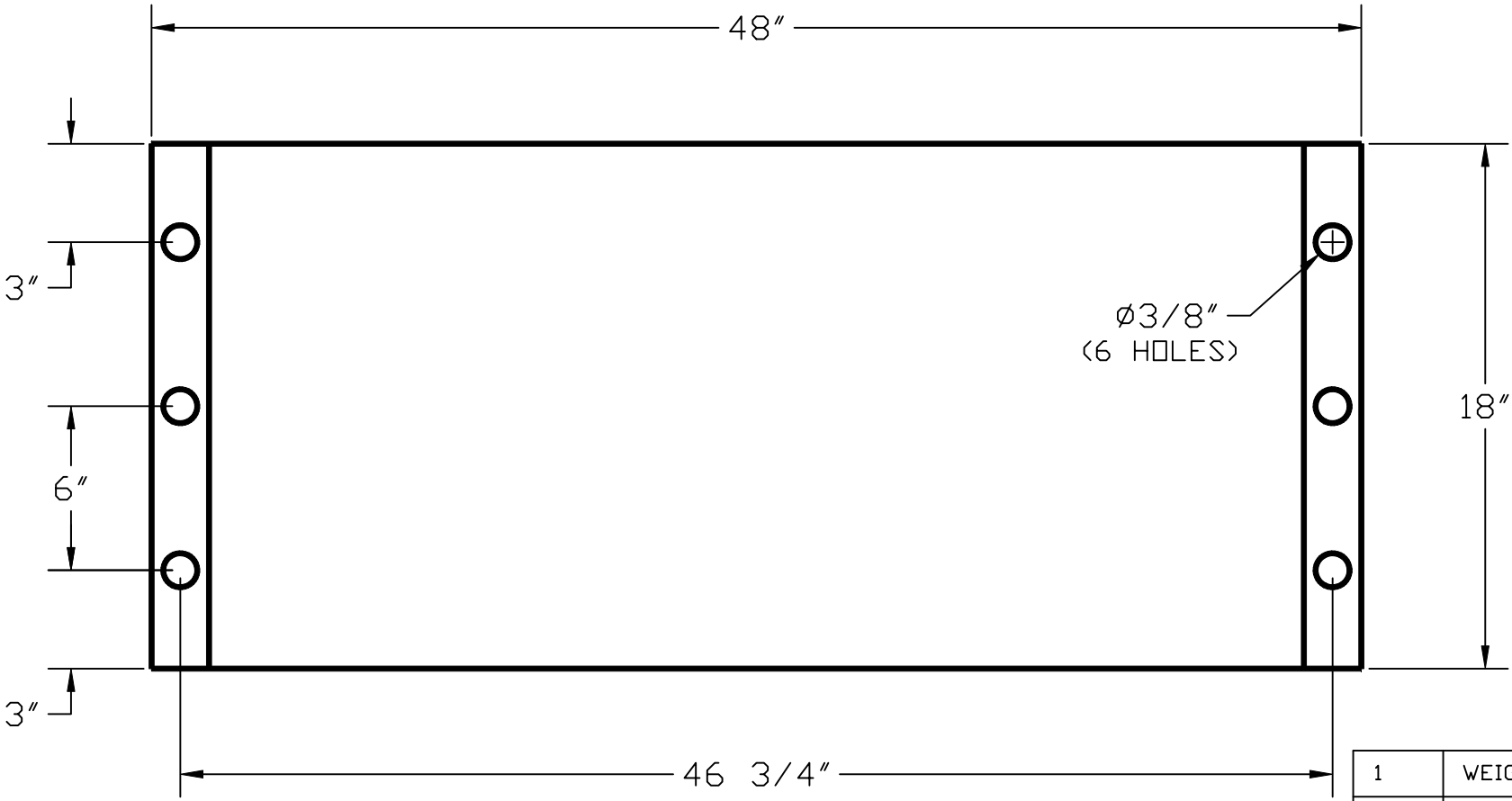
**OTR CONDENSER A18      - 48” WIDE X 15” DEEP X 18” HIGH  
- WEIGHT 95 LBS**

**OTR EVAPORATOR      - 50 7/8” WIDE X 26” DEEP X 13 ½” HIGH  
- WEIGHT 102 LBS**

**ELECTRIC STANDBY      - 48” WIDE X 14 1/8” DEEP X 18” HIGH  
- WEIGHT 279 LBS**

**NOTE: THE A T C 18 SERIES EVAPORATOR IS DESIGNED TO BE CEILING OR WALL MOUNTED. IF THE EVAPORATOR IS WALL MOUNTED THE FRONT CORNERS OF THE EVAPORATOR MUST BE SUPPORTED FROM THE CEILING. THIS WILL ELIMINATE THE POSSIBILITY OF EVAPORATOR VIBRATION.**

REV.	DATE	DESCRIPTION	BY	APPR
A	JUNE 21 2005	WAS DWG M960063 WEIGHT WAS 90 LBS	JWM	



1	WEIGHT - 95 LBS	1
ITEM	DESCRIPTION	QTY

THIS DRAWING IS THE PROPERTY OF ATC, THE INFORMATION CONTAINED HEREIN MAY NOT BE USED OR DISTRIBUTED BY OTHER PARTIES WITHOUT THE EXPRESS WRITTEN CONSENT OF ATC.

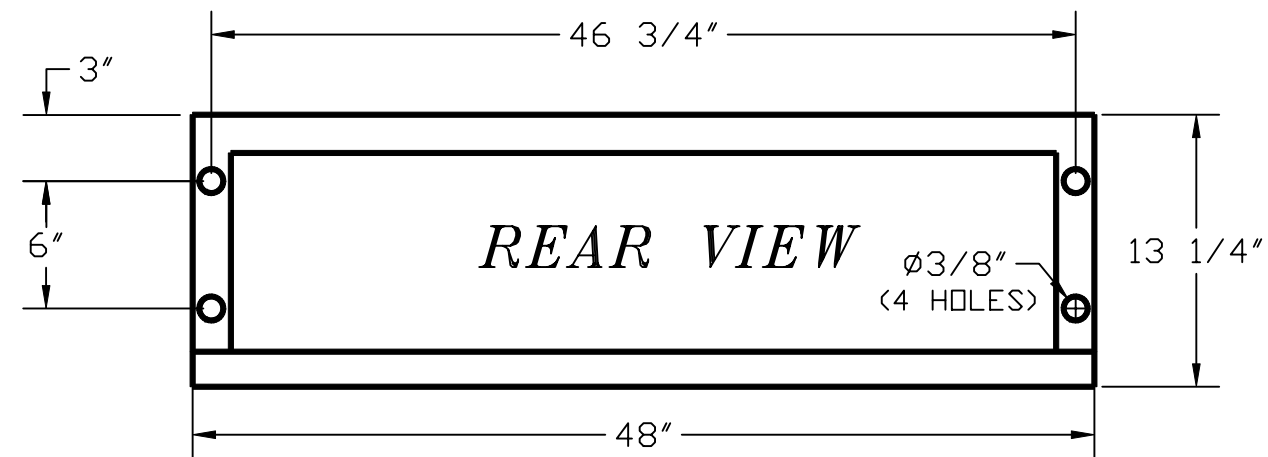
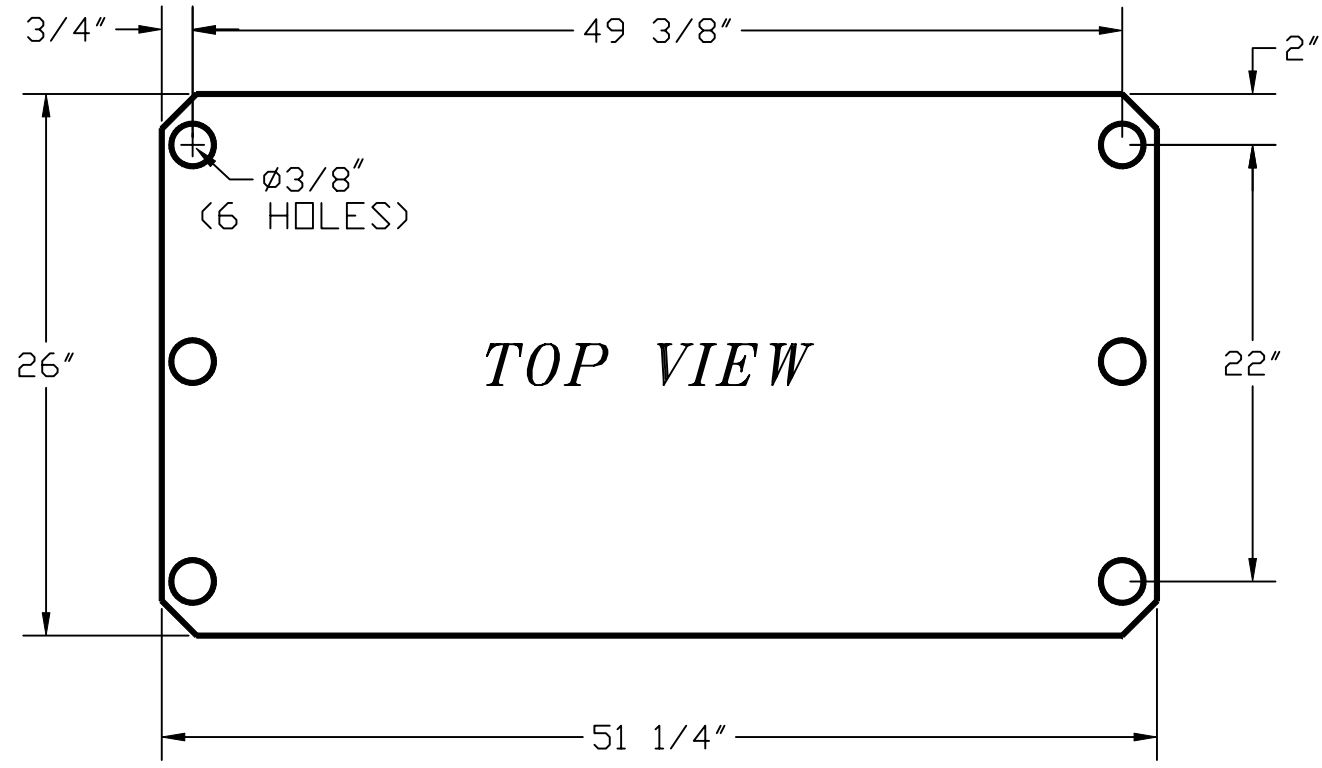
**ATC** **ADVANCED TEMPERATURE CONTROL**  
 1416 GRAHAM'S LANE  
 BURLINGTON, ONT.  
 L7S 1W3  
 TEL: (905) 637-3468 FAX: (905) 637-3363

**PART NO.**  
**M960063-1**  
 DATE 7-7-97

TITLE	<b>SERIES 18 AERODYNAMIC CONDENSER MOUNTING POINTS</b>	ENG. REF	COMMON/OLD/MANUELS/REINF-SP
DRAWN	ASHRAF E.	DATE	7-7-97
DWG NO	<b>M960063-1</b>	CHECK	DATE
DIMS ARE IN INCHES		SCALE	NTS
		REV.	A

ALL DIMENSIONS ARE IN INCHES UNLESS OTHERWISE SPECIFIED

REV.	DATE	DESCRIPTION	BY	APPR
A	JUNE 21 2005	UPDATED DWG WEIGHT WAS 94 LBS	JWM	



**PART NO.**  
M960070  
**DATE** 8-7-97

ALL DIMENSIONS ARE IN INCHES UNLESS OTHERWISE SPECIFIED

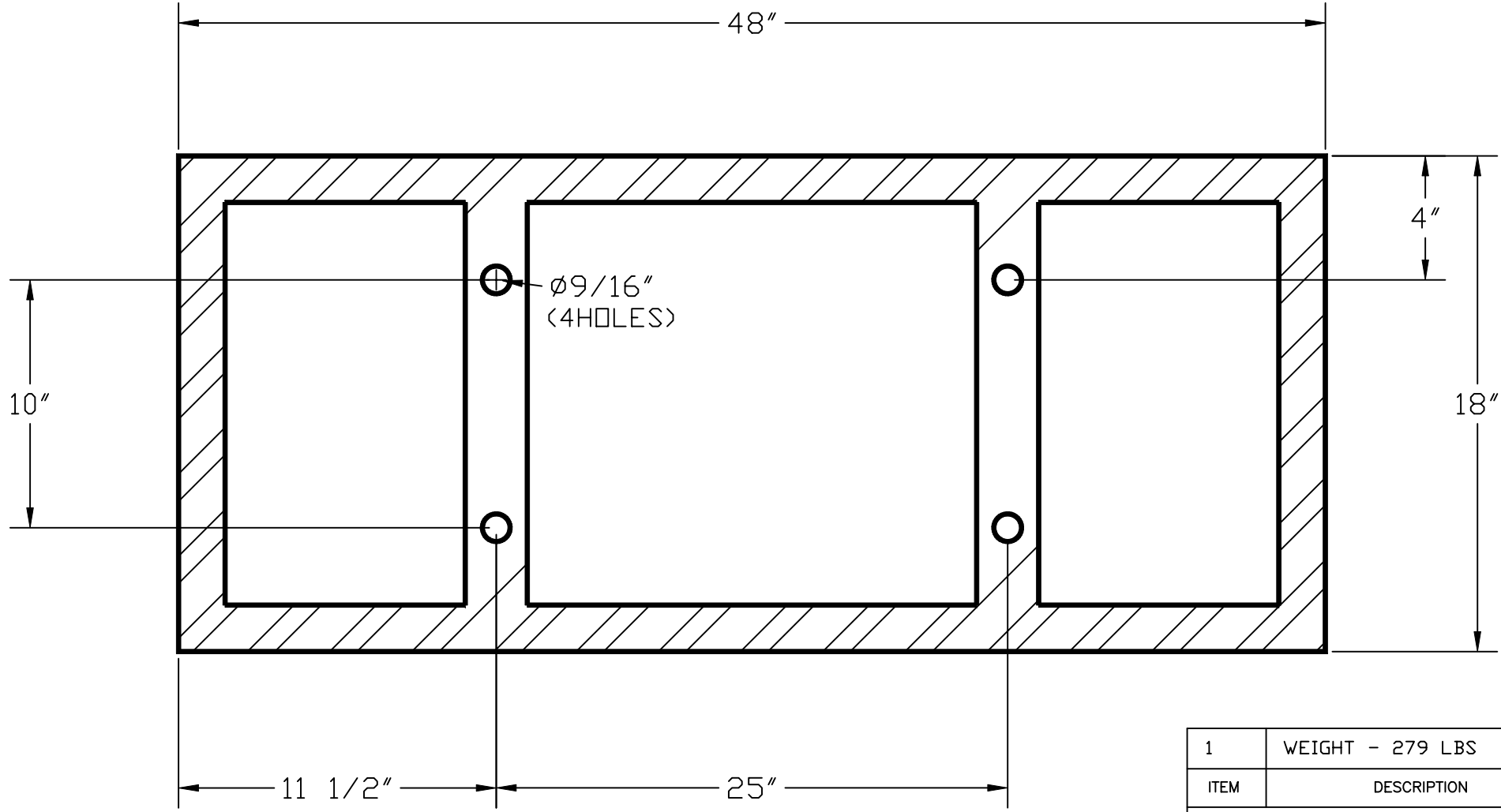
1	WEIGHT - 102 LBS	1
ITEM	DESCRIPTION	QTY

THIS DRAWING IS THE PROPERTY OF ATC, THE INFORMATION CONTAINED HEREIN MAY NOT BE USED OR DISTRIBUTED BY OTHER PARTIES WITHOUT THE EXPRESS WRITTEN CONSENT OF ATC.

**ATC ADVANCED TEMPERATURE CONTROL**  
 1416 GRAHAM'S LANE  
 BURLINGTON, ONT.  
 L7S 1W3  
 TEL: (905) 637-3468 FAX: (905) 637-3363

<b>TITLE</b> SERIES 18		<b>ENG. REF</b> COMMON/OLD/MANUELS/REINF-SP	
<b>EVAPORATOR MOUNTING POINTS</b>		<b>DRAWN</b> ASHRAF E.	<b>DATE</b> 8-7-97
<b>DWG NO</b> M960070	<b>CHECK</b>	<b>DATE</b>	
<b>DIMS ARE IN INCHES</b>		<b>SCALE</b> NTS	<b>REV.</b> A

REV.	DATE	DESCRIPTION	BY	APPR
A	JUNE 21 2005	WAS DWG M960072 WEIGHT WAS 265 LBS	JWM	



1	WEIGHT - 279 LBS	1
ITEM	DESCRIPTION	QTY

THIS DRAWING IS THE PROPERTY OF ATC, THE INFORMATION CONTAINED HEREIN MAY NOT BE USED OR DISTRIBUTED BY OTHER PARTIES WITHOUT THE EXPRESS WRITTEN CONSENT OF ATC.

**ATC** **ADVANCED TEMPERATURE CONTROL**  
 1416 GRAHAM'S LANE  
 BURLINGTON, ONT.  
 L7S 1W3  
 TEL: (905) 637-3468 FAX: (905) 637-3363

TITLE	<b>SERIES 18</b>	ENG. REF	COMMON/OLD/MANUELS/REINF-SP
	<b>REMOTE ELECTRIC STANDBY MOUNTING POINTS</b>	DRAWN	DATE
DWG NO	<b>M960072-1</b>	ASHRAF E.	8-7-97
		CHECK	DATE
	DIMS ARE IN INCHES	SCALE	REV.
		NTS	A

**PART NO.**  
**M960072-1**  
 DATE 8-7-97

ALL DIMENSIONS ARE IN INCHES UNLESS OTHERWISE SPECIFIED

# ADVANCED TEMPERATURE CONTROL

## A T C 20 SERIES – SPLIT SYSTEM

**THREE MAJOR COMPONENT PARTS, AERODYNAMIC CONDENSER SECTION, EVAPORATOR SECTION AND TRUCK ENGINE DRIVEN COMPRESSOR MOUNTING SECTION.**

**NOTE: OVER THE ROAD ONLY MODELS 20 MA & LA REQUIRE FRONT WALL UPRIGHT SUPPORTS – 46 ¾” CENTRE, AND A CEILING SUPPORT 24” FROM THE FRONT INTERIOR FINISHED WALL. COMBINED WEIGHT OF CONDENSER AND EVAPORATOR – 210 LBS.**

**NOTE: ELECTRIC STANDBY MODELS 20 MEA & LEA REQUIRE FRONT WALL UPRIGHT SUPPORTS – 25” CENTRE, AND A CEILING SUPPORT 24” FROM THE FRONT INTERIOR FINISHED WALL. COMBINED WEIGHT OF THE ELECTRIC STANDBY, CONDENSER AND EVAPORATOR – 466 LBS.**

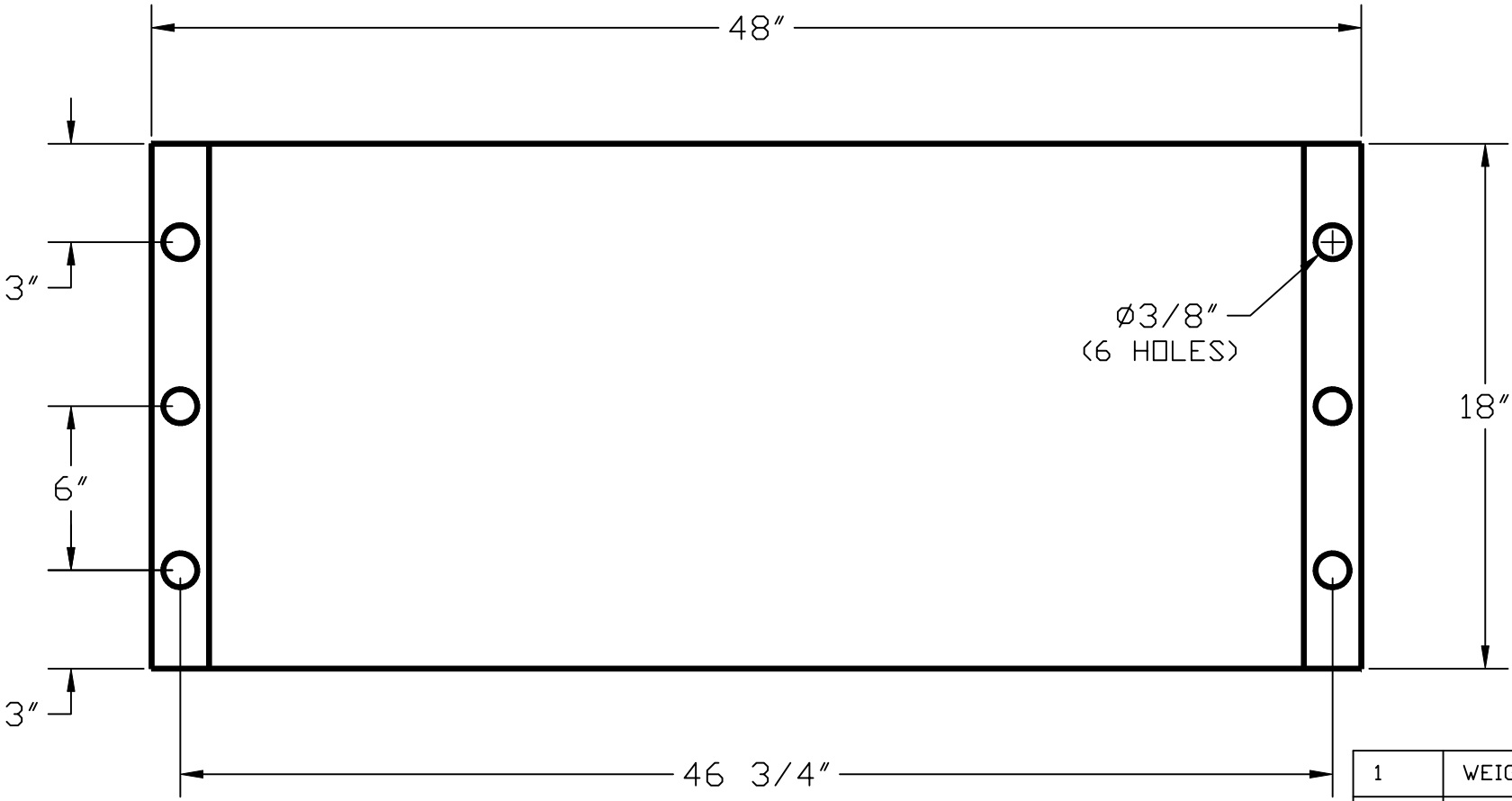
**OTR CONDENSER A18      -48” WIDE X 15” DEEP X 18” HIGH  
-WEIGHT 95 LBS**

**OTR EVAPORATOR      -50 7/8” WIDE X 26” DEEP X 13 ½” HIGH  
-WEIGHT 115 LBS**

**ELECTRIC STANDBY      -48” WIDE X 14 1/8” DEEP X 18” HIGH  
-WEIGHT 351 LBS**

**NOTE: THE A T C 20 SERIES EVAPORATOR IS DESIGNED TO BE CEILING OR WALL MOUNTED. IF THE EVAPORATOR IS WALL MOUNTED THE FRONT CORNERS OF THE EVAPORATOR MUST BE SUPPORTED FROM THE CEILING. THIS WILL ELIMINATE THE POSSIBILITY OF EVAPOTATOR VIBRATION.**

REV.	DATE	DESCRIPTION	BY	APPR
A	JUNE 21 2005	WAS DWG M960063 WEIGHT WAS 90 LBS	JWM	



1	WEIGHT - 95 LBS	1
ITEM	DESCRIPTION	QTY

THIS DRAWING IS THE PROPERTY OF ATC, THE INFORMATION CONTAINED HEREIN MAY NOT BE USED OR DISTRIBUTED BY OTHER PARTIES WITHOUT THE EXPRESS WRITTEN CONSENT OF ATC.

**ATC** **ADVANCED TEMPERATURE CONTROL**  
 1416 GRAHAM'S LANE  
 BURLINGTON, ONT.  
 L7S 1W3  
 TEL: (905) 637-3468 FAX: (905) 637-3363

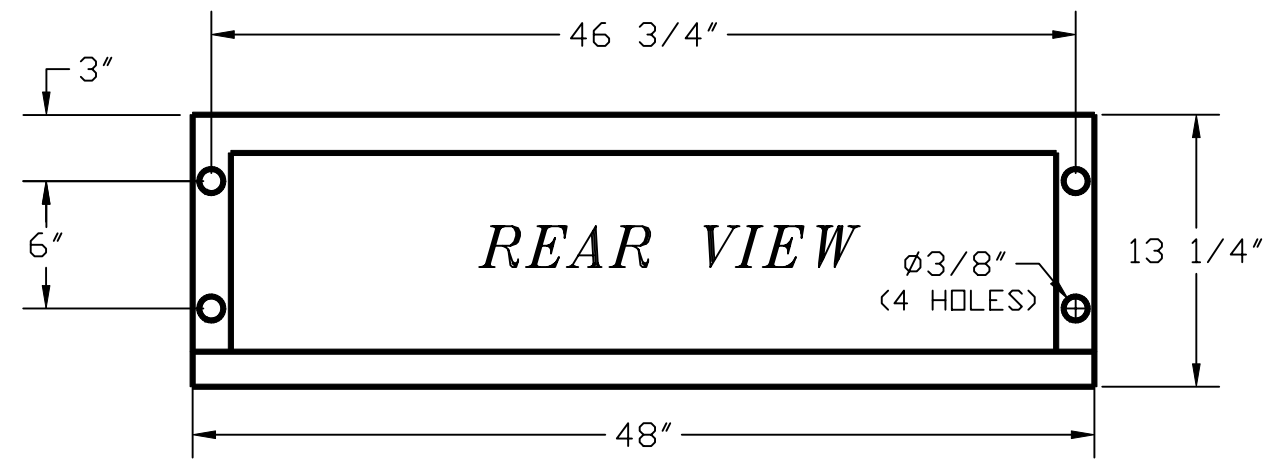
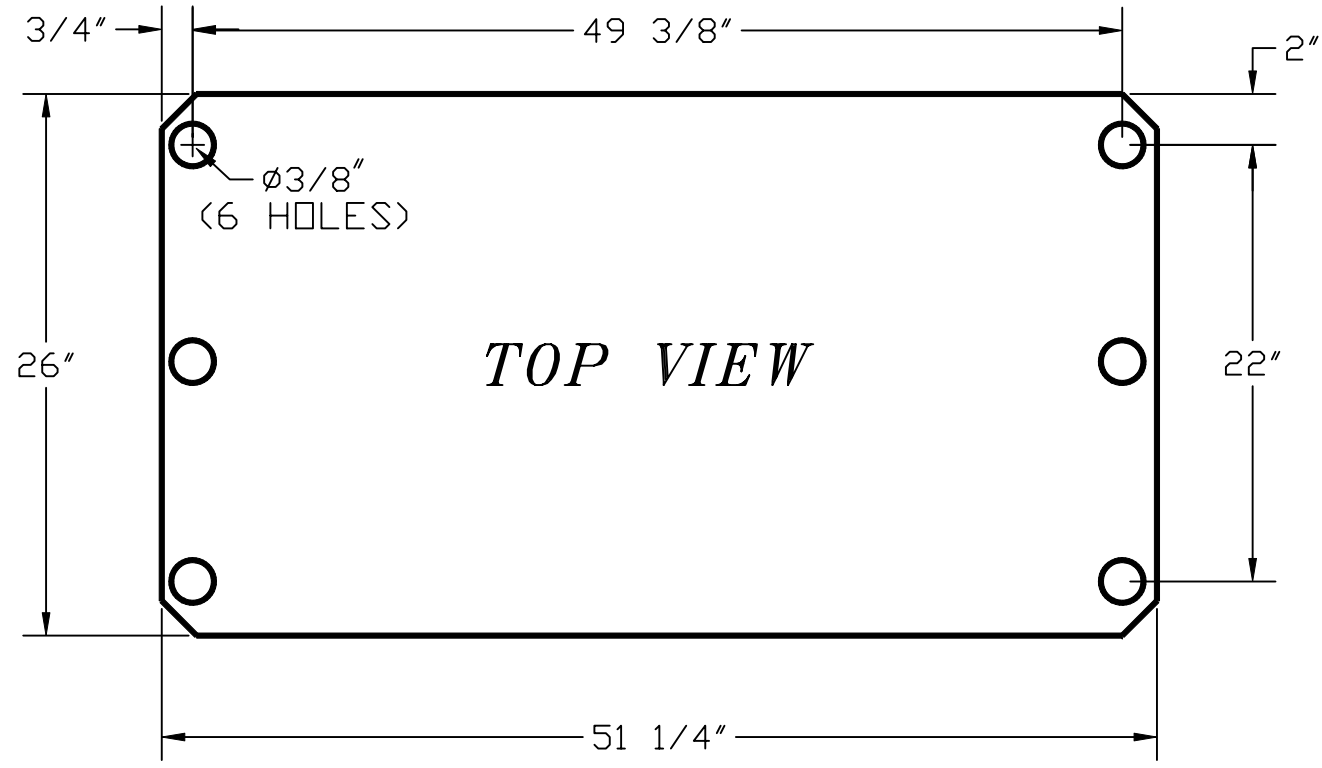
**PART NO.**  
**M960063-2**  
 DATE 7-7-97

TITLE	SERIES 20 AERODYNAMIC CONDENSER MOUNTING POINTS	ENG. REF	COMMON/OLD/MANUELS/REINF-SP
DRAWN	ASHRAF E.	DATE	7-7-97
DWG NO	M960063-2	CHECK	DATE
DIMS ARE IN INCHES		SCALE	NTS
		REV.	A

ALL DIMENSIONS ARE IN INCHES UNLESS OTHERWISE SPECIFIED



REV.	DATE	DESCRIPTION	BY	APPR
A	JUNE 21 2005	WAS DWG M960070 WEIGHT WAS 94 LBS	JWM	



1	WEIGHT - 115 LBS	1
ITEM	DESCRIPTION	QTY

THIS DRAWING IS THE PROPERTY OF ATC, THE INFORMATION CONTAINED HEREIN MAY NOT BE USED OR DISTRIBUTED BY OTHER PARTIES WITHOUT THE EXPRESS WRITTEN CONSENT OF ATC.

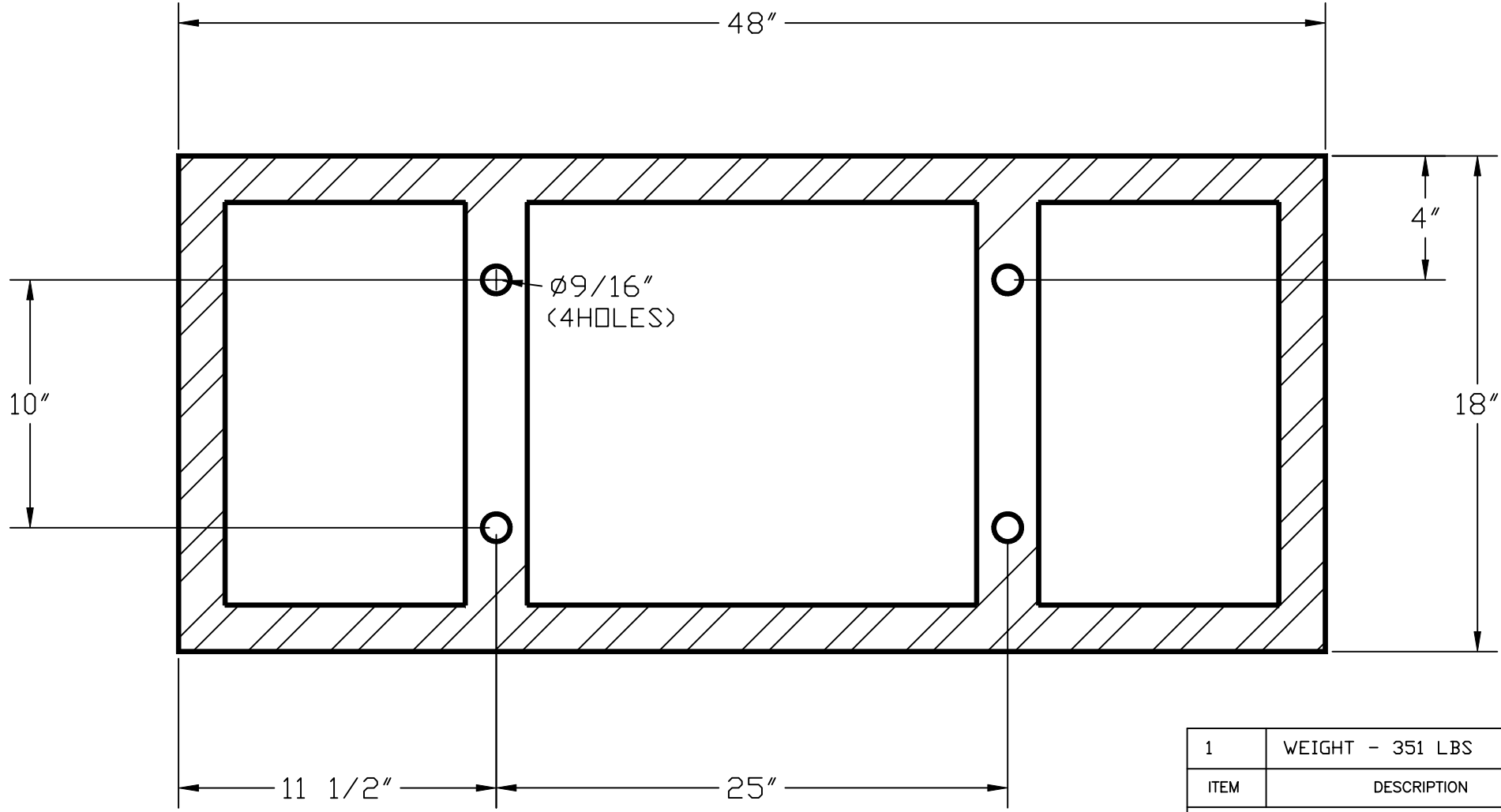
**ATC** **ADVANCED TEMPERATURE CONTROL**  
 1416 GRAHAM'S LANE  
 BURLINGTON, ONT.  
 L7S 1W3  
 TEL: (905) 637-3468 FAX: (905) 637-3363

TITLE	SERIES 20	ENG. REF	
EVAPORATOR MOUNTING POINTS	COMMON/OLD/MANUELS/REINF-SP	DRAWN	DATE
DWG NO	M960070-1	ASHRAF E.	8-7-97
		CHECK	DATE
DIMS ARE IN INCHES	SCALE	NTS	REV. A

**PART NO.**  
**M960070-1**  
 DATE 8-7-97

ALL DIMENSIONS ARE IN INCHES UNLESS OTHERWISE SPECIFIED

REV.	DATE	DESCRIPTION	BY	APPR
A	JUNE 21 2005	WAS DWG M960072 WEIGHT WAS 265 LBS	JWM	



1	WEIGHT - 351 LBS	1
ITEM	DESCRIPTION	QTY

THIS DRAWING IS THE PROPERTY OF ATC, THE INFORMATION CONTAINED HEREIN MAY NOT BE USED OR DISTRIBUTED BY OTHER PARTIES WITHOUT THE EXPRESS WRITTEN CONSENT OF ATC.

**ATC** **ADVANCED TEMPERATURE CONTROL**  
 1416 GRAHAM'S LANE  
 BURLINGTON, ONT.  
 L7S 1W3  
 TEL: (905) 637-3468 FAX: (905) 637-3363

TITLE	<b>SERIES 20</b>	ENG. REF	COMMON/OLD/MANUELS/REINF-SP
	<b>REMOTE ELECTRIC STANDBY MOUNTING POINTS</b>	DRAWN	DATE
DWG NO	<b>M960072-2</b>	ASHRAF E.	8-7-97
		CHECK	DATE
	DIMS ARE IN INCHES	SCALE	REV.
		NTS	A

**PART NO.**  
**M960072-2**  
 DATE 8-7-97

ALL DIMENSIONS ARE IN INCHES UNLESS OTHERWISE SPECIFIED