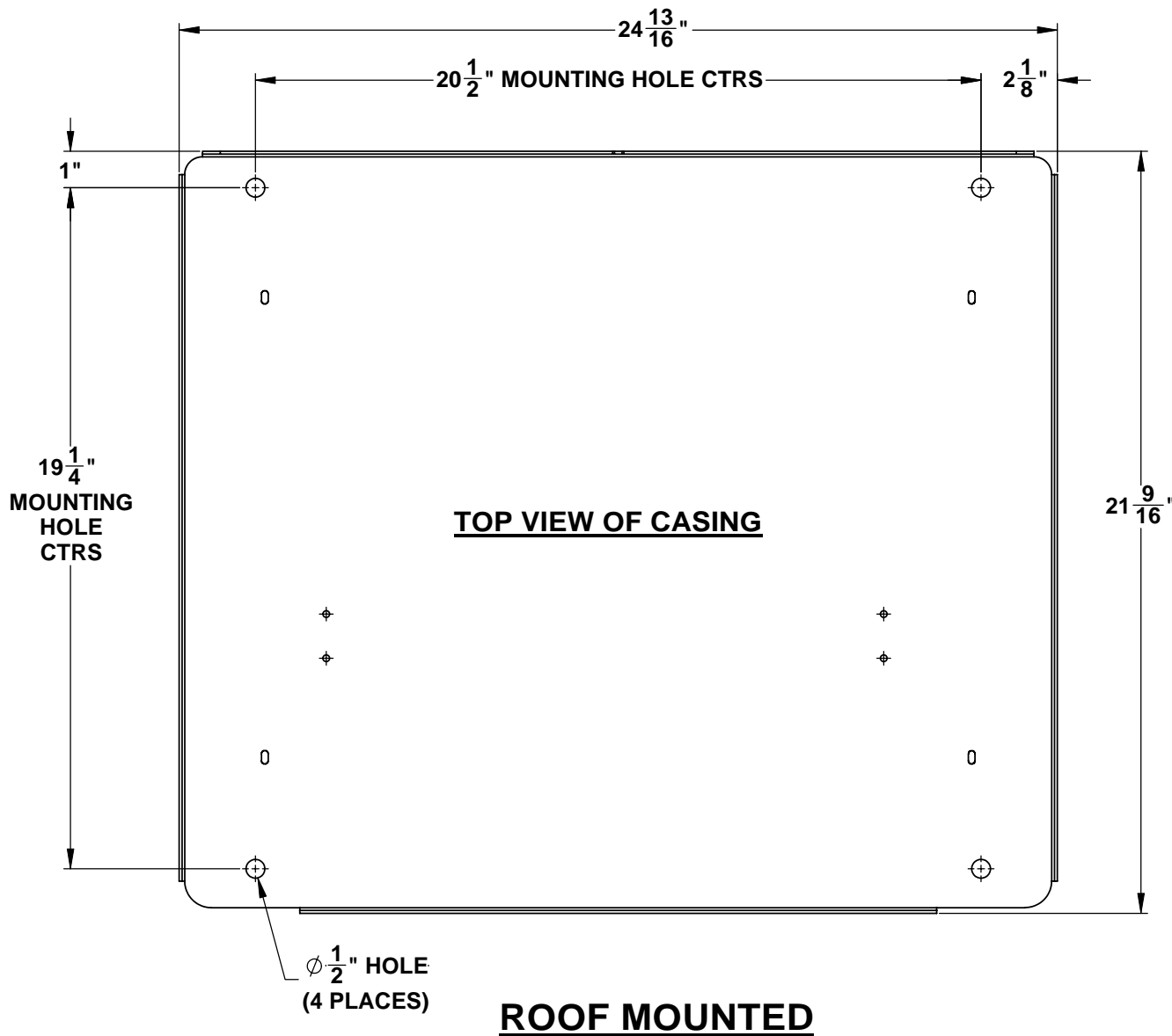



ISSUED		REV.	DATE	DESCRIPTION	BY	APPR.
BY	DATE					



WEIGHT	34 lbs	16 kg	
THIS DRAWING IS THE PROPERTY OF ATC. THE INFORMATION CONTAINED HEREIN MAY NOT BE USED OR DISTRIBUTED BY OTHER PARTIES WITHOUT THE EXPRESS WRITTEN CONSENT OF ATC.			
 <b>ARCTIC TRAVELER CANADA</b> 1416 GRAHAM'S LANE BURLINGTON, ONT. L7S 1W3 TEL: (905) 637-3468    FAX: (905) 637-3363		ENG. REF	DATA/COM/ENG-REF/9128
		TITLE	ATC 10M/10L EVAPORATOR MOUNTING INFORMATION
DWG NO	9128-04	DRAWN	DATE
		JWM	AUG 31, 2011
		CHECK	DATE
		SCALE	N.T.S.
		REV.	
DIMS ARE IN INCHES			